

SINK DESCRIPTION

- Manufactured of 18 gauge, type 301 nickel-bearing stainless steel
- Two bowls are a minimum of 14" x 16" x 8"
- Has two 3-1/2" diameter recessed drain openings
- Is fully undercoated with a sound and temperature insulating material and sound deadening pads
- The exposed surfaces are polished to a lustrous satin tone finish
- Silicone sealant not provided. Includes mounting bracket.
- Other standard mounting hardware not included

INSTALLATION

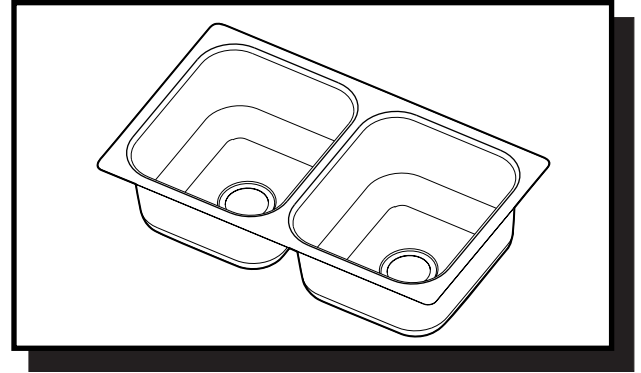
- Template enclosed with sink.
- Template ordering number 22508.

STANDARDS

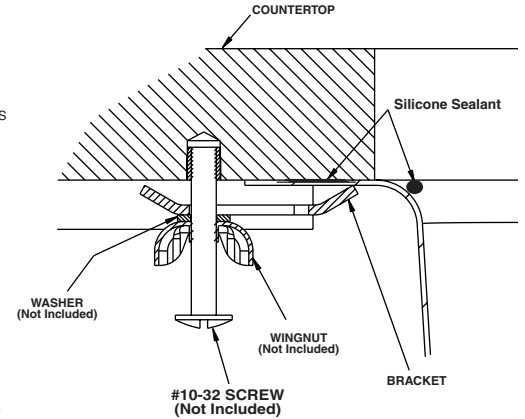
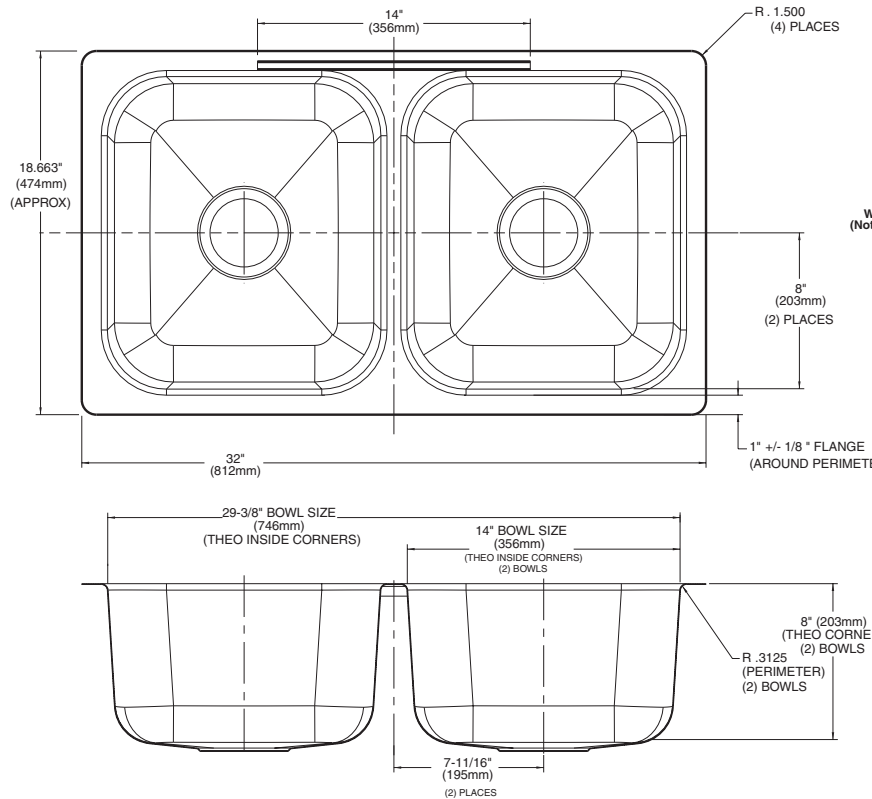
- Third party certified by IAPMO to meet ASME A112.19.3 and all applicable specifications referenced therein.

WARRANTY

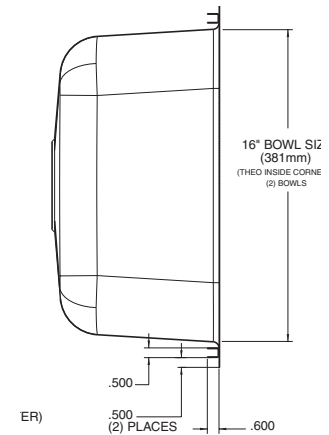
- Warranted for fifteen years against material or manufacturing defects



**Lancelot® Undermount
Double Bowl Kitchen Sink
Model: 22357
(UMTLDE-29" x 16" x 8")**



Installation Detail



CRITICAL DIMENSIONS

(DO NOT SCALE)