

## SINK DESCRIPTION

- Manufactured of 18 gauge, type 301 nickel-bearing stainless steel
- Two bowls are a minimum of 14" x 16" x 8"
- Has two 3-1/2" diameter recessed drain openings
- Is fully undercoated with a sound and temperature insulating material and sound deadening pads
- The exposed surfaces are polished to a lustrous satin tone finish
- Silicone sealant not provided. Includes mounting bracket.
- Other standard mounting hardware not included

## INSTALLATION

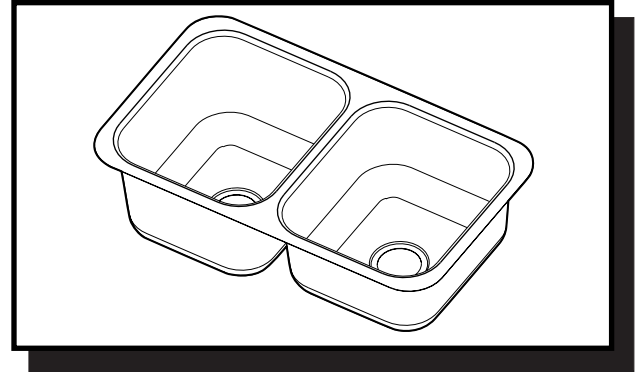
- Template enclosed with sink.
- Template ordering number 22508.

## STANDARDS

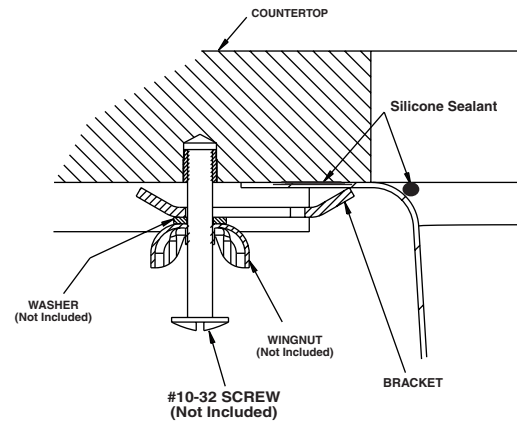
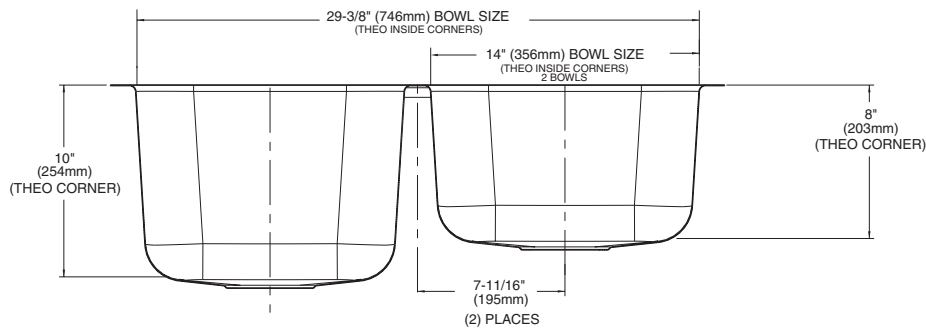
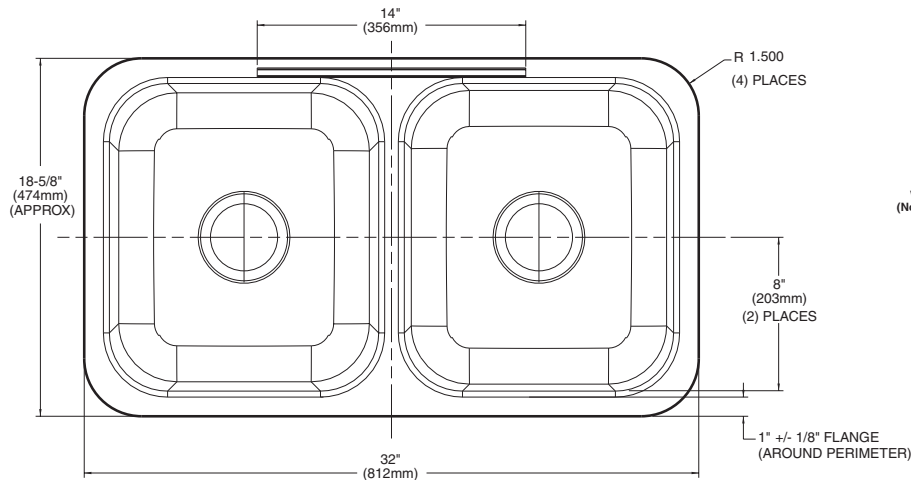
- Third party certified by IAPMO to meet ASME A112.19.3 and all applicable specifications referenced therein.

## WARRANTY

- Warranted for fifteen years against material or manufacturing defects



**Lancelot® Undermount  
Double Bowl Kitchen Sink  
Model: 22358  
(UMTLDEDL-29" x 16" x 10" x 8")**



**Installation Detail**

## CRITICAL DIMENSIONS

(DO NOT SCALE)