

SINK DESCRIPTION

- Manufactured of 23 gauge, type 301 nickel-bearing stainless steel
- The large bowl is a minimum of 21-1/4" x 16" x 6"
- The sink ledge has Three fixture mounting holes, 1-1/2" in diameter and 4" on center
- Has one 3-1/2" diameter recessed drain opening
- Is bottom undercoated with a sound and temperature insulating material
- The exposed surfaces are polished to a lustrous satin tone finish
- Includes all necessary mounting hardware

CUT OUT DIMENSIONS

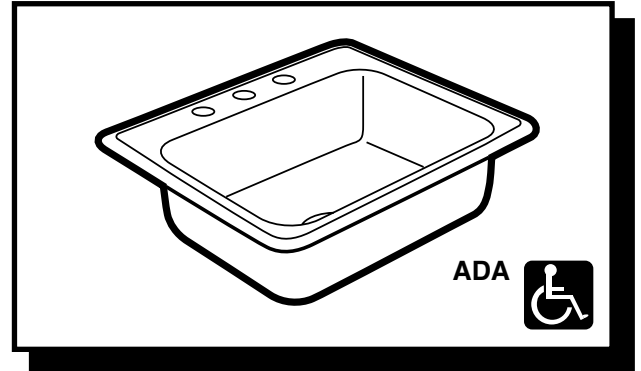
- Cut out dimensions are 24-3/8" x 21-3/8", with a 1-1/2" corner radius. A tolerance of plus or minus 1/16" is acceptable

STANDARDS

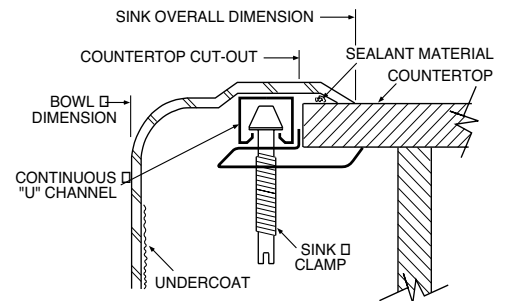
- Third party certified by IAPMO to meet ASME A112.19.3 and all applicable specifications referenced therein. Also meets applicable requirements of ANSI A117.1

WARRANTY

- Warranted for one year against material or manufacturing defects



Elegante®
Single Bowl Kitchen Sink
Model: 22911
(G-2522-3)



Installation Detail

