



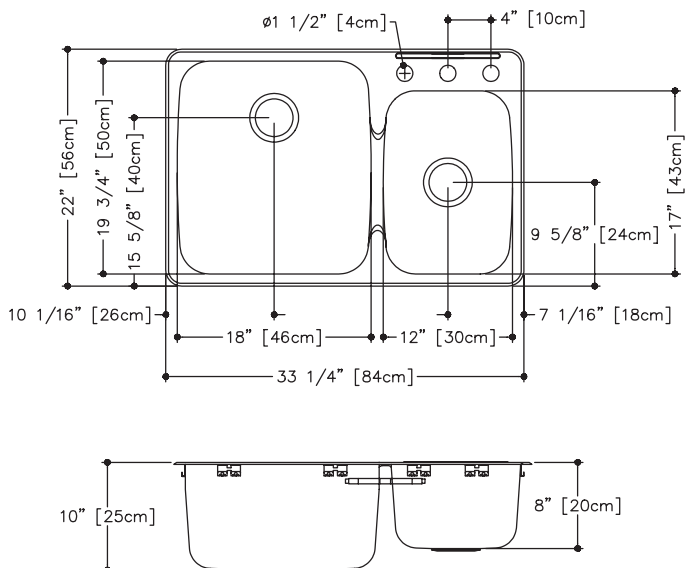
P. O. Box 1010, Ruston, LA 71273-1010  
Customer Service: 1.800.637.6485

- 18-10 Stainless Steel
- Fully Undercoated
- Factory Applied Rim Seal
- Two I135 Drain Assemblies Included
- Limited Lifetime Buyer Warranty



Fits 36" Cabinet

| Model #       | Faucet Holes | Finish Deck/Bowl           | Bowl Size<br>↕ × ↔ | Sink Depth | Overall Dimension | Gauge | Cutout Dimension           |
|---------------|--------------|----------------------------|--------------------|------------|-------------------|-------|----------------------------|
| C2233/10ML/1E | 1            | Mirror/Lustre              | L: 19 3/4" x 18"   | L: 10"     | 22" x 33 1/4"     | 18    | 21" x 32 1/4"<br>2" Radius |
| C2233/10ML/3E | 3            |                            | R: 17" x 12"       | R: 8"      |                   |       |                            |
| C2233/10RL/1E | 1            | Radiant Brushed/<br>Lustre |                    |            |                   |       |                            |
| C2233/10RL/3E | 3            |                            |                    |            |                   |       |                            |



JOB NAME: \_\_\_\_\_

DATE: \_\_\_\_\_

CUSTOMER: \_\_\_\_\_

MODEL SPECIFIED: \_\_\_\_\_

QUANTITY: \_\_\_\_\_

ARCHITECT/ENGINEER: \_\_\_\_\_

CONTRACTOR: \_\_\_\_\_