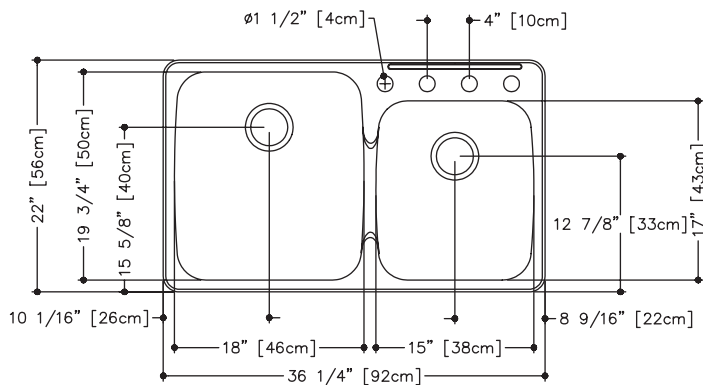


- **18-10 Stainless Steel**
- **Fully Undercoated**
- **Factory Applied Rim Seal**
- **Two I135 Drain Assemblies Included**
- **Limited Lifetime Buyer Warranty**



Fits 39" Cabinet

Model #	Faucet Holes	Finish Deck/Bowl	Bowl Size ↕ X ↔	Sink Depth	Overall Dimension	Gauge	Cutout Dimension
C2236/10ML/1E	1	Mirror/Lustre	L: 19 3/4" x 18"	L: 10"	22" x 36 1/4"	18	21" x 35 1/4" 2" Radius
C2236/10ML/3E	3		R: 17" x 15"	R: 8"			
C2236/10ML/4E	4						
C2236/10RL/1E	1	Radiant Brushed/ Lustre					
C2236/10RL/3E	3						
C2236/10RL/4E	4						



JOB NAME: _____

DATE: _____

CUSTOMER: _____

MODEL SPECIFIED: _____

QUANTITY: _____

ARCHITECT/ENGINEER: _____

CONTRACTOR: _____