

**Contemporary Gourmet Double Bowl  
18 Gauge, Type 304, Self Rim  
Models LCGR3322 and DLCGR3322 Series**



**SPECIFICATIONS**

**GENERAL**

Highest quality. Sink bowls are seamlessly drawn of #18 gauge, type 304 (18-8) nickel bearing stainless steel. Self-rimming.

**DESIGN FEATURES**

Bowl Depths: 6-1/16" (Small Bowl); 8" (Large Bowl LCGR); 10-1/2" (Large Bowl DLCGR).

Bowls and Faucet Deck Recessed: 1/2" below outside edge of sink.

Finish: Exposed surfaces are hand blended to a lustrous high-lighted Lasting Beauty satin finish.

Underside: Fully protected by heavy duty Sound Guard™ under-coating to prevent condensation and deaden sound.

**OTHER**

Drain Opening: 3-1/2".

**OPTIONAL ACCESSORIES**

Rinsing Baskets: LKRB715, LKRB1614, DB1420 and LKERBSS.

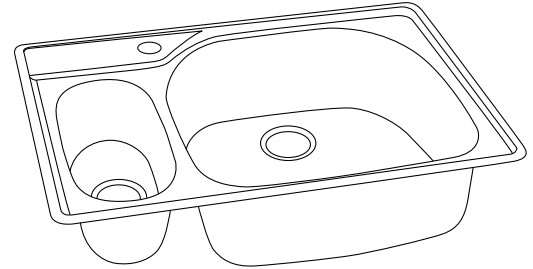
Cutting Board: CBT2213.

Colander: SC1407.

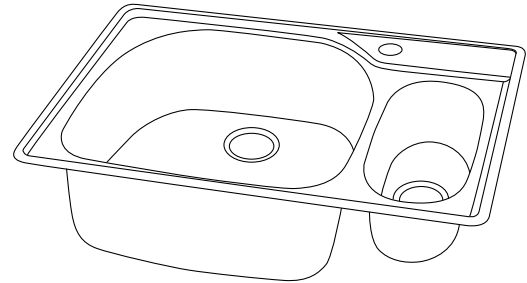
These sinks comply with ANSI Standard A112.19.3M.



These sinks are listed by the International Association of Plumbing and Mechanical Officials as meeting the requirements of the Uniform Plumbing Code.



Model LCGR3322L1



Model DLCGR332210R1

**SINK DIMENSIONS (INCHES)\***

| Model Number | Overall |    | Inside Left Bowl |        |        | Inside Right Bowl |        |        | Cutout in Countertop (1 1/2" Radius Corners) |        | Number of 1 1/2" Dia. Faucet Holes 4" Centers | Ship. Wt. Lbs. |
|--------------|---------|----|------------------|--------|--------|-------------------|--------|--------|--|--------|---|----------------|
|              | L       | W  | L                | W      | D      | L                 | W      | D      | L  | W      |   |                |
| LCGR3322L    | 33      | 22 | 7                | 14 1/8 | 6 1/16 | 21                | 18 5/8 | 8      | 32 3/8                                       | 21 3/8 | 1, 2, 3 or 4                                  | 19 3/4         |
| DLCGR332210L | 33      | 22 | 7                | 14 1/8 | 6 1/16 | 21                | 18 5/8 | 10 1/2 | 32 3/8                                       | 21 3/8 | 1, 2, 3 or 4                                  | 20             |
| LCGR3322R    | 33      | 22 | 21               | 18 5/8 | 8      | 7                 | 14 1/8 | 6 1/16 | 32 3/8                                       | 21 3/8 | 1, 2, 3 or 4                                  | 19 3/4         |
| DLCGR332210R | 33      | 22 | 21               | 18 5/8 | 10 1/2 | 7                 | 14 1/8 | 6 1/16 | 32 3/8                                       | 21 3/8 | 1, 2, 3 or 4                                  | 20             |

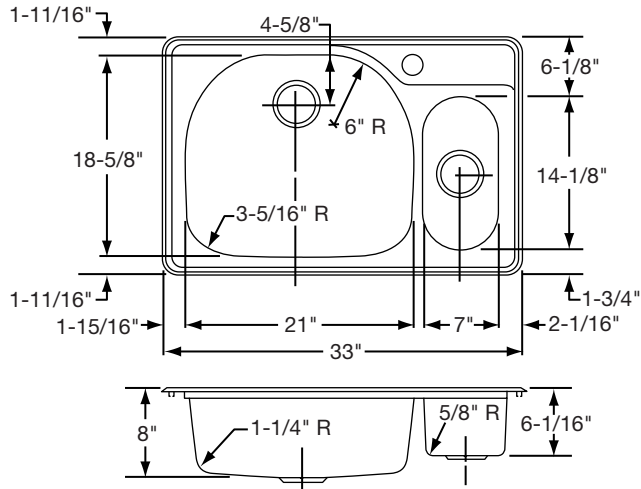
\*Length is left to right. Width is front to back.

ALL DIMENSIONS IN INCHES, TO CONVERT TO MILLIMETERS MULTIPLY BY 25.4.

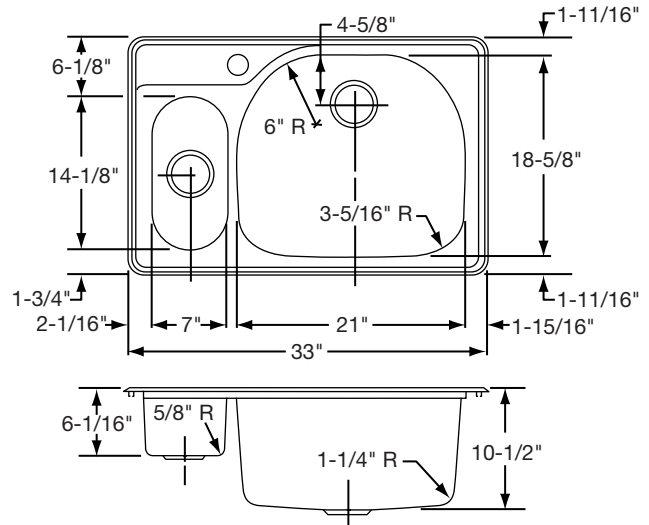
In keeping with our policy of continuing product improvement, Elkay reserves the right to change product specifications without notice.

This specification describes an Elkay product with design, quality and functional benefits to the user. When making a comparison of other producers' offerings, be certain these features are not overlooked.

**SPECIFICATIONS**



Model LCGR3322R1 Illustrated



Model DLCGR332210R1 Illustrated

**HOLE DRILLING CONFIGURATIONS**

