

# ELKAY<sup>®</sup>

## SPECIFICATIONS

### elumina™ by Elkay Undermount Double Bowl Sink Model EGUH3119 Series

#### GENERAL

Fine quality sink bowls seamlessly formed of #18 gauge, type 304 nickel bearing stainless steel.

#### DESIGN FEATURES

Bowl Depth: 8".

Finish: Exposed surfaces are polished to a non-directional soft satin finish.

Underside: Sound absorbing pads applied to dampen sound. Aqueduct (recessed partition) allows water to flow to adjacent bowl before overflowing sink.

#### OTHER

Drain Opening: 3-1/2".

Note: All Elkay undermount sinks are designed to affix easily to the underside of any solid surface countertop.

#### OPTIONAL ACCESSORIES

Rinsing Baskets: LKRB1611 or LKERBSS.

Bottom Grid: LKOBG1716.

Cutting Board: CB1713.

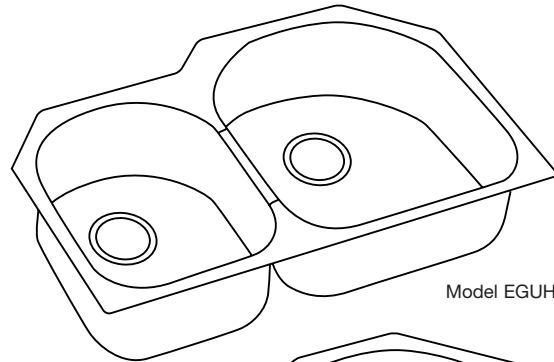
These sinks comply with ANSI Standard A112.19.3M.

#### SINK DIMENSIONS (INCHES)\*

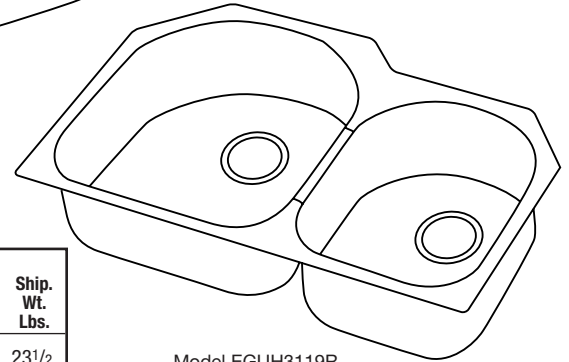
Model Number	Overall		Inside Left Bowl			Inside Right Bowl			Cutout in Countertop	Minimum Cabinet Size	Ship. Wt. Lbs.
	L	W	L	W	D	L	W	D			
EGUH3119L	31 1/4	20	11 1/2	15	8	16	17 1/2	8	See Template**	36	23 1/2
EGUH3119R	31 1/4	20	16	17 1/2	8	11 1/2	15	8	See Template**	36	23 1/2

\*Length is left to right. Width is front to back.

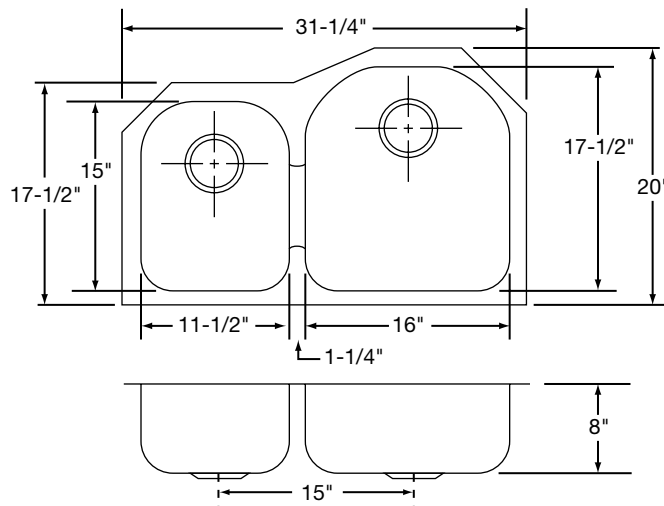
\*\*Template and countertop mounting clips are packed with every sink.



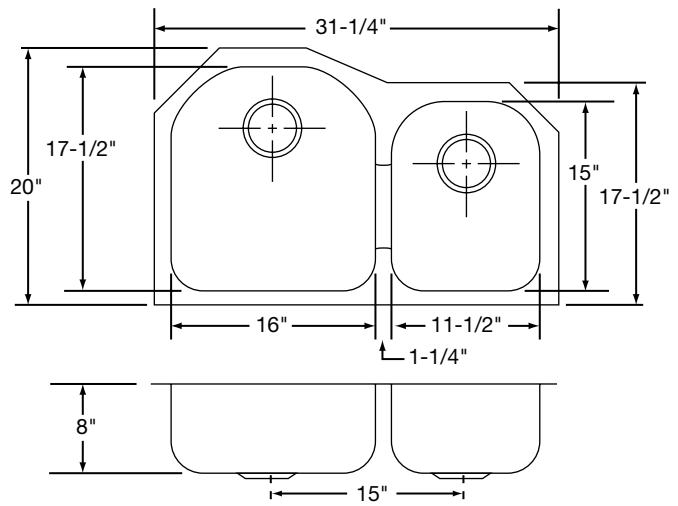
Model EGUH3119L



Model EGUH3119R



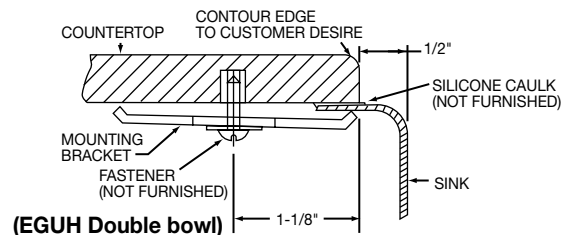
Model EGUH3119L Illustrated



Model EGUH3119R Illustrated

#### Installation Profile of EGUH Double Bowl Models

The template provided with each EGUH sink provides the only type of installation recommended by Elkay.



ALL DIMENSIONS IN INCHES, TO CONVERT TO MILLIMETERS MULTIPLY BY 25.4.

In keeping with our policy of continuing product improvement, Elkay reserves the right to change product specifications without notice.

This specification describes an Elkay product with design, quality and functional benefits to the user. When making a comparison of other producers' offerings, be certain these features are not overlooked.