

ELKAY® SPECIFICATIONS

Lustertone® Undermount Double Bowl Sink Models ELUH3520L and ELUH3520R

GENERAL

Highest quality sink seamlessly drawn of #18 gauge, type 304 (18-8) nickel bearing stainless steel. Underside of sink is fully protected by heavy duty Sound Guard® undercoating. Designed to accept waste disposer.

DESIGN FEATURES

Bowl Depths: 9-7/8" (large bowl), 7-7/8" (small bowl).

Finish: Exposed surfaces are hand blended to a lustrous highlighted satin finish.

Underside: Underside of sink is fully protected by heavy duty Sound Guard® undercoating to prevent condensation and deaden sound.

OTHER

Drain Opening: 3-1/2".

NOTE: All Elkay undermount sinks are designed to affix easily to the underside of any solid surface countertop.

These sinks comply with ANSI Standard A112.19.3M.

OPTIONAL ACCESSORIES

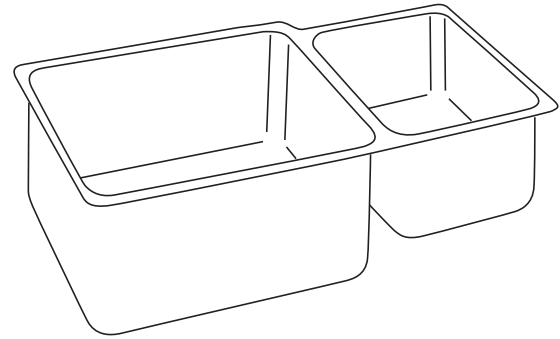
Rinsing Baskets: LKRB1520 and LKERBSS.

SINK DIMENSIONS (INCHES)*

Model Number	Overall		Inside Left Bowl			Inside Right Bowl			Cutout in Countertop	Minimum Cabinet Size	Ship. Wt. Lbs.
	L	W	L	W	D	L	W	D			
ELUH3520L	35 1/4	20 1/2	11 1/2	16	7 7/8	20	18	9 7/8	See Template**	39	29
ELUH3520R	35 1/4	20 1/2	20	18	9 7/8	11 1/2	16	7 7/8	See Template**	39	29

*Length is left to right. Width is front to back.

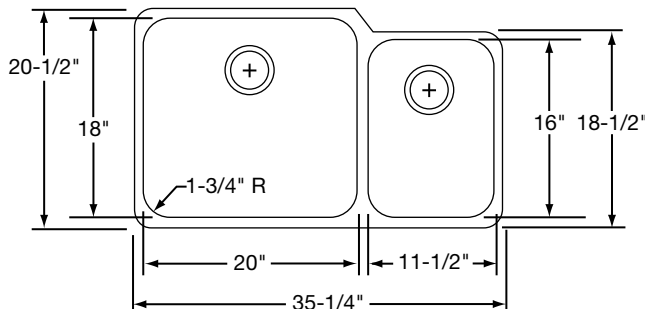
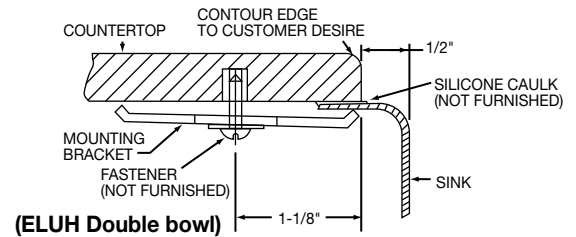
**Template and countertop mounting clips are packed with every sink.



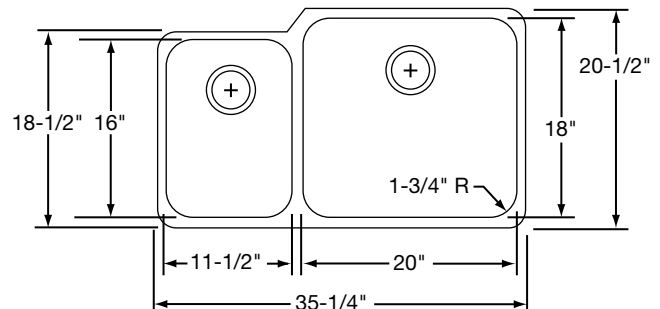
Model ELUH3520R

Installation Profile of ELUH Double Bowl Models

The template provided with each ELUH sink provides the only type of installation recommended by Elkay.



Model ELUH3520R Illustrated



Model ELUH3520L Illustrated

ALL DIMENSIONS IN INCHES, TO CONVERT TO MILLIMETERS MULTIPLY BY 25.4.

In keeping with our policy of continuing product improvement, Elkay reserves the right to change product specifications without notice.

This specification describes an Elkay product with design, quality and functional benefits to the user. When making a comparison of other producers' offerings, be certain these features are not overlooked.