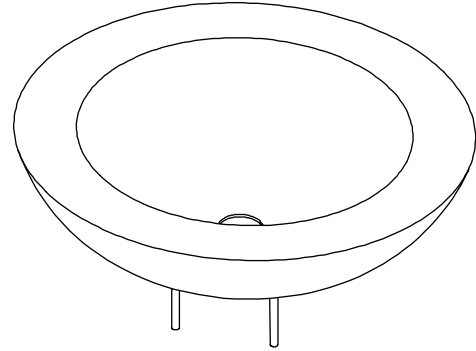


TIMPANI™ LAVATORY K-2277

Features

- 19-1/4" (48.9 cm) D.
- 18 gauge stainless steel
- Above-the-counter installation
- Satin finish (-S)
- Mirror finish (-M)
- Installation hardware included
- Without overflow
- PVC tube and drain gasket included to cover the overflow hole in the faucet drain assembly
- Internal sound proofing
- Sealant included



Codes/Standards Applicable

Specified model meets or exceeds the following:

- ASME A112.19.3
- CSA B45

Colors/Finishes

- NA: None applicable

Accessories:

- CP: Polished Chrome
- NA: None applicable
- Other: Refer to Price Book for additional colors/finishes

Specified Model

Model	Description	Colors/Finishes
K-2277-M	Lavatory with mirror finish	<input type="checkbox"/> NA
K-2277-S	Lavatory with satin finish	<input type="checkbox"/> NA

Recommended Accessories

K-9018	P-trap	<input type="checkbox"/> CP	<input type="checkbox"/> Other_____
K-T196	Falling Water faucet trim with 8-1/4" (21 cm) spout OR	<input type="checkbox"/> CP	<input type="checkbox"/> Other_____
K-T197	Falling Water faucet trim with 9" (22.9 cm) spout OR	<input type="checkbox"/> CP	<input type="checkbox"/> Other_____
K-T198	Falling Water faucet trim with 10-1/4" (26 cm) spout OR	<input type="checkbox"/> CP	<input type="checkbox"/> Other_____
K-T199	Falling Water faucet trim with 10" (25.4 cm) spout OR	<input type="checkbox"/> CP	<input type="checkbox"/> Other_____
K-307-K	Single control ceramic valve*	<input type="checkbox"/> NA	
K-7710	Drain OR	<input type="checkbox"/> CP	<input type="checkbox"/> Other_____
K-7715	Grid drain OR	<input type="checkbox"/> CP	<input type="checkbox"/> Other_____
K-7702	Pop-up drain OR	<input type="checkbox"/> CP	<input type="checkbox"/> Other_____

*Valve must be ordered to complete Falling Water faucet.

Product Specification

The round lavatory shall be 19-1/4" (48.9 cm) in diameter. Lavatory shall be made of 18 gauge stainless steel. Lavatory shall be above-the-counter installation. Lavatory shall have a satin finish (-S), or mirror finish (-M). Lavatory shall include installation hardware. Lavatory shall have a PVC tube and drain gasket to cover overflow hole in the faucet drain assembly. Lavatory shall have internal sound proofing. Lavatory shall include sealant. Lavatory shall be Kohler model K-2277-_____-NA.

VESSELS™

Technical Information

Fixture:*	basin area	water depth
Lavatory	15-3/4" (40 cm) D.	4-1/2" (11.4 cm)
Drain	1 5/8" (4.1 cm) D.	
* Approximate measurements for comparison only.		

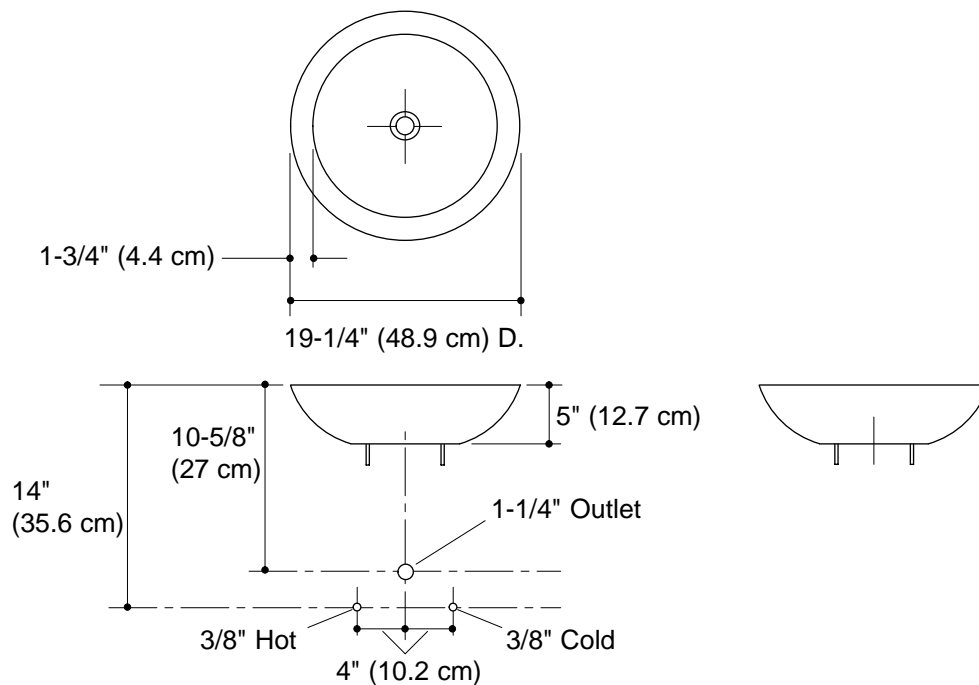
Included components:	
Drain gasket	33507
Tube	1011037-CP
Basin clamp assembly	88007
Cut-out template	1002988-7

Installation Notes

Install this product according to the installation guide.

IMPORTANT! This product rests on the countertop. Consider the height of the product when designing the installation.

NOTICE: The countertop manufacturer or cutter **must** use the cut-out template provided with the product, or a current one provided by Kohler Co. (call 1-800-43 FOCUS). Kohler Co. is not responsible for cut-out errors when the incorrect cut-out template is used.



Product Diagram