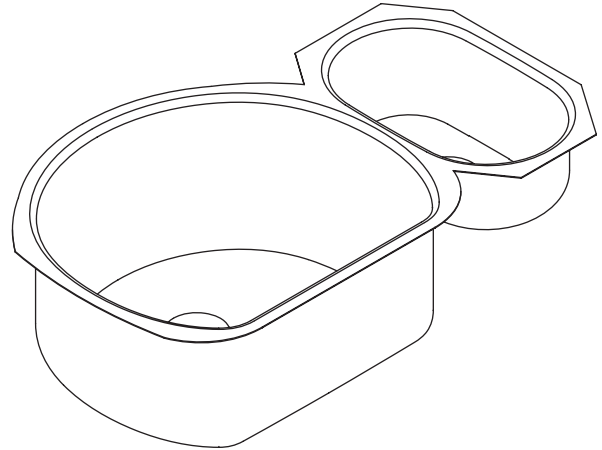


Features

- 18 gauge stainless steel
- Undercounter
- Includes installation hardware
- 32-1/2" (82.6 cm) x 19" (48.3 cm)
- 9-1/2" (24.1 cm) deep left basin and 5-1/2" (14 cm) deep right basin for K-3099 model
- 5-1/2" (14 cm) deep left basin and 9-1/2" (24.1 cm) deep right basin for K-3099-L model

UNDERCOUNTER SINK K-3099 ALSO K-3099-L



Codes/Standards Applicable

Specified model meets or exceeds the following:

- IAPMO/UPC
- ASME A112.19.3
- CSA B45

Colors/Finishes

- NA: None applicable

Accessories:

- CP: Polished Chrome
- Other: Refer to Price Book for additional colors/finishes

Specified Model

Model	Description	Colors/Finishes
K-3099	Undercounter sink (deeper basin on left)	<input type="checkbox"/> NA
K-3099-L	Undercounter sink (deeper basin on right)	<input type="checkbox"/> NA
Optional Accessories		
K-3292	Hardwood cutting board (for small basin)	<input type="checkbox"/> NA
K-8801	Duostrainer® sink strainer	<input type="checkbox"/> CP <input type="checkbox"/> Other_____

Product Specification:

The undercounter sink shall be 32-1/2" (82.6 cm) in length, and 19" (48.3 cm) in width. Sink shall be made of 18 gauge stainless steel. Sink shall be double (high/low) compartment. K-3099 shall have 9-1/2" (24.1 cm) deep left basin and 5-1/2" (14 cm) deep right basin. K-3099-L shall have 5-1/2" (14 cm) deep left basin and 9-1/2" (24.1 cm) deep right basin. Sink shall include installation hardware. Sink shall be Kohler Model K-3099-_____.

UNDERTONE™

Technical Information

Basin area dimensions shown for K-3099 model; reverse basin area dimensions for K-3099-L model.

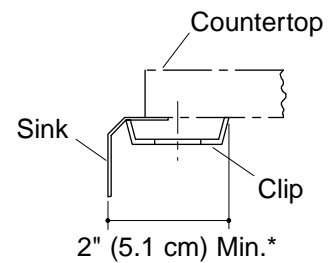
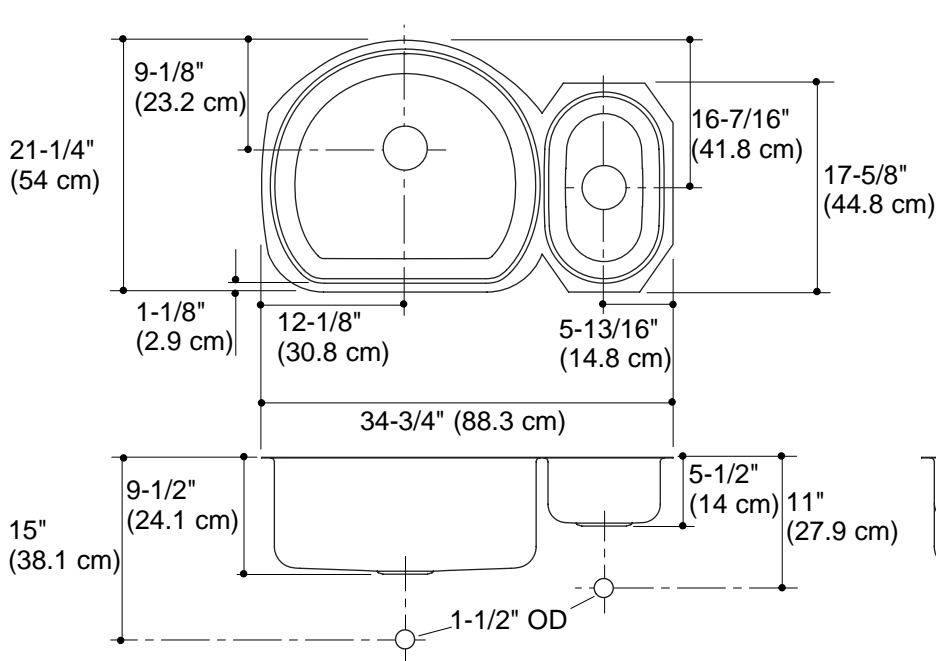
Fixture:*	basin area	water depth
Sink, left	19" (48.3 cm) x 22" (56 cm)	9-1/2" (20.3 cm)
Sink, right	9" (22.9 cm) x 15" (48.1 cm)	5-1/2" (14 cm)
Drain holes	3-5/8" D. (9.2 cm)	
* Approximate measurements for comparison only.		

Included Components:	
Hardware kit (4 required)	91915
Cutout template (K-3099)	1040323-7
Cutout template (K-3099-L)	1040324-7

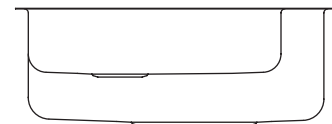
Installation Notes

Install this product according to the installation guide.

Dimensions for K-3099 model are shown. Location of each basin is reversed with K-3099-L model.



* Allow clearance around sink rim for clip attachment.



Product Diagram