

### Features

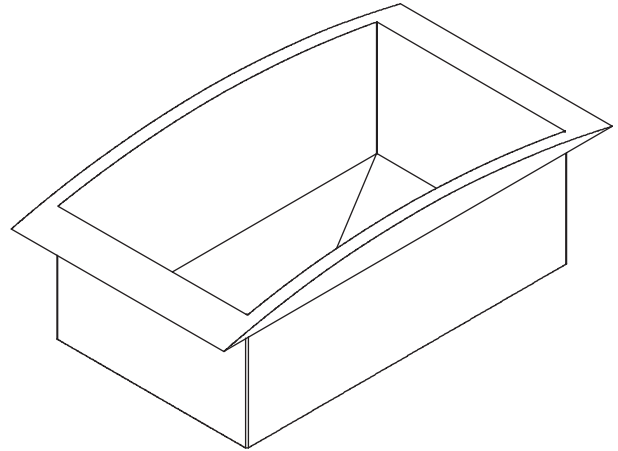
- Self-rimming
- Single compartment
- 12 gauge stainless steel
- Includes bottom basin rack
- 33" (83.8 cm) X 18" (45.7 cm)

### Codes/Standards Applicable

Specified model meets or exceeds the following:

- ASME A112.19.3
- IAPMO/UPC
- CSA B45

## SELF-RIMMING KITCHEN SINK K-3153



### Colors/Finishes

- NA: None applicable

#### Accessories:

- CP: Polished Chrome
- ST: Stainless Steel
- Other: Refer to Price Book for additional colors/finishes

### Specified Model

Model	Description	Colors/Finishes
K-3153	Self-rimming sink	<input type="checkbox"/> NA
<b>Included Accessory</b>		
K-3126	Bottom basin rack	<input type="checkbox"/> ST
<b>Optional Accessory</b>		
K-8801	Duostrainer® sink strainer	<input type="checkbox"/> CP <input type="checkbox"/> Other_____

### Product Specification:

The self-rimming sink shall be 33" (83.8 cm) in length and 18" (45.7 cm) in width. Sink shall be made of 12 gauge stainless steel. Sink shall be single compartment. Sink shall include bottom basin rack. Sink shall be Kohler Model K-3153.

# SWERVE™

## Technical Information

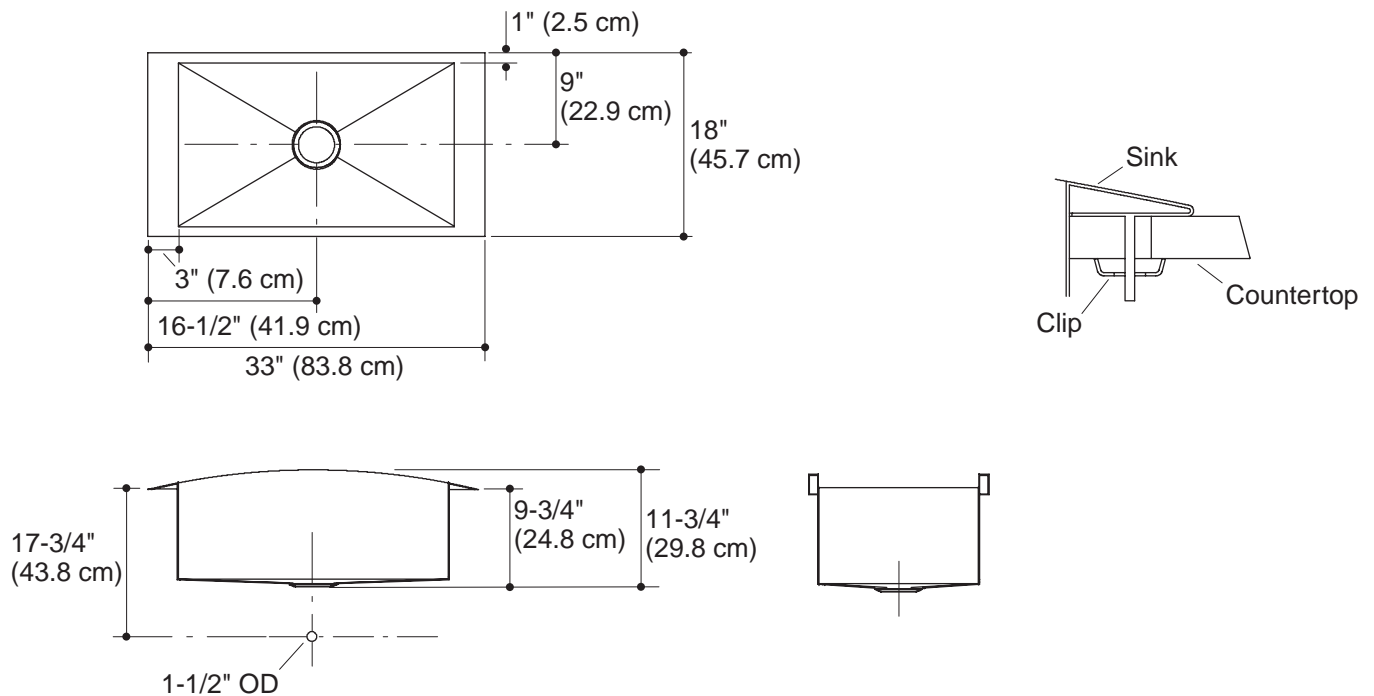
Fixture*:		
Sink	basin area	27" (68.6 cm) x 16" (40.6 cm)
	water depth	10-3/16" (25.9 cm)
Diameter	outlet	3-5/8" (9.2 cm)
	faucet holes	1-7/16" (3.7 cm)
* Approximate measurements for comparison only.		

Included Components:	
Fastener Kit	91915
Cut-out template	1022027-7

## Installation Notes

Install this product according to the installation guide.

Cutout is 31" (78.7 cm) x 16-1/2" (41.9 cm) with 1/2" (1.3 cm) radius corners.



## Product Diagram

SWERVE™ SELF-RIMMING KITCHEN SINK

Page 2 of 2  
1022027-4-D

THE BOLD LOOK  
OF **KOHLER**®