

UNDERCOUNTER SINK K-3185

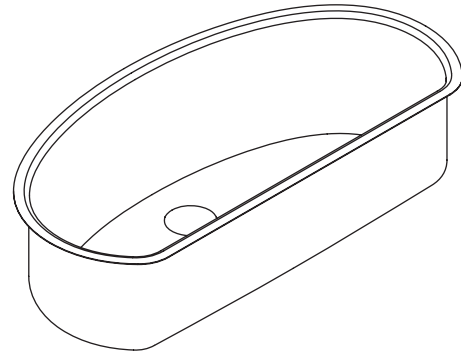
Features

- 18 gauge stainless steel
- Undercounter
- Single compartment
- Includes installation hardware
- 35-1/4" (89.5 cm) x 16-1/4" (41.3 cm)

Codes/Standards Applicable

Specified model meets or exceeds the following:

- IAPMO/UPC
- ASME A112.19.3
- CSA B45



Colors/Finishes

- NA: None applicable

Accessories:

- CP: Polished Chrome
- 0: White
- Other: Refer to Price Book for additional colors/finishes

Specified Model

Model	Description	Colors/Finishes	
K-3185	Undercounter sink	<input type="checkbox"/> NA	
Optional Accessories			
K-8801	Duostrainer® sink strainer	<input type="checkbox"/> CP	<input type="checkbox"/> Other _____

Product Specification:

The undercounter sink shall be 35-1/4" (89.5 cm) in length and 16-1/4" (41.3 cm) in width. Sink shall be made of 18 gauge stainless steel. Sink shall be single compartment. Sink shall include installation hardware. Sink shall be Kohler Model K-3185-_____.

UNDERTONE™

Technical Information

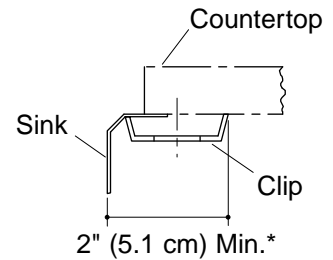
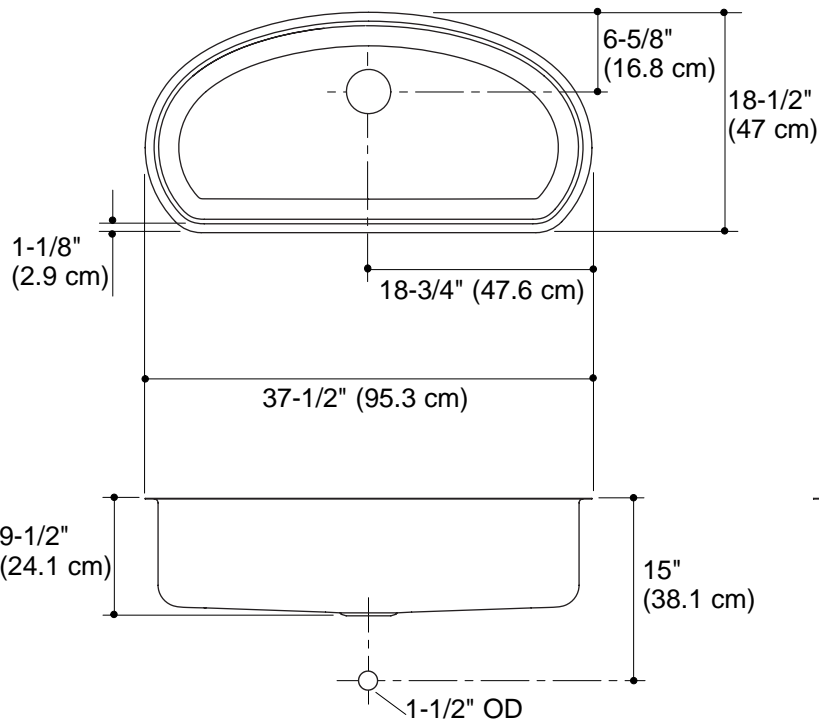
Fixture:*	basin area	water depth
Sink	35-1/4" (89.5 cm) x 16-1/4" (41.3 cm)	9-1/2" (24.1 cm)
Drain Hole	3-5/8" D. (9.2 cm)	

* Approximate measurements for comparison only.

Included Components:	
Hardware kit (4 required)	91915
Cutout template	1040320-7

Installation Notes

Install this product according to the installation guide.



* Allow clearance around sink rim for clip attachment.

Product Diagram