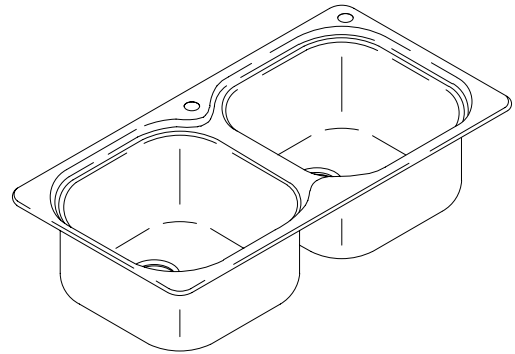


### SELF-RIMMING KITCHEN SINK

# K-3231

#### FEATURES

- 42" x 22"
- 18 gauge stainless steel
- Self-rimming
- Double (equal) compartment
- 2-hole (K-3231-2), single-hole (K-3231-1) faucet punching
- Includes installation hardware



#### CODES/STANDARDS APPLICABLE

Specified model meets or exceeds the following:

- IAPMO/UPC

#### COLORS/FINISHES

- NA None Applicable

#### Accessories:

- CP Polished Chrome
- 0 White
- Other Refer to Fixtures Price Book for additional colors

#### SPECIFIED MODEL:

Model	Description	Colors/Finishes
K-3231-2	2-hole sink	<input type="checkbox"/> NA
K-3231-1	Single-hole sink	<input type="checkbox"/> NA

Optional Accessories			
K-3191	Bottom basin rack	<input type="checkbox"/> 0 White	<input type="checkbox"/> Other_____
K-3279	Wire rinse basket	<input type="checkbox"/> 0 White	<input type="checkbox"/> Other_____
K-8801	Duostrainer sink strainer	<input type="checkbox"/> CP	<input type="checkbox"/> Other_____

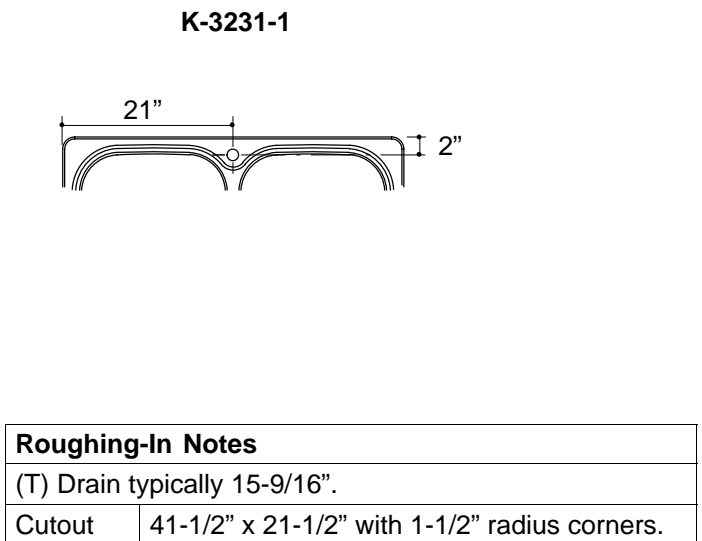
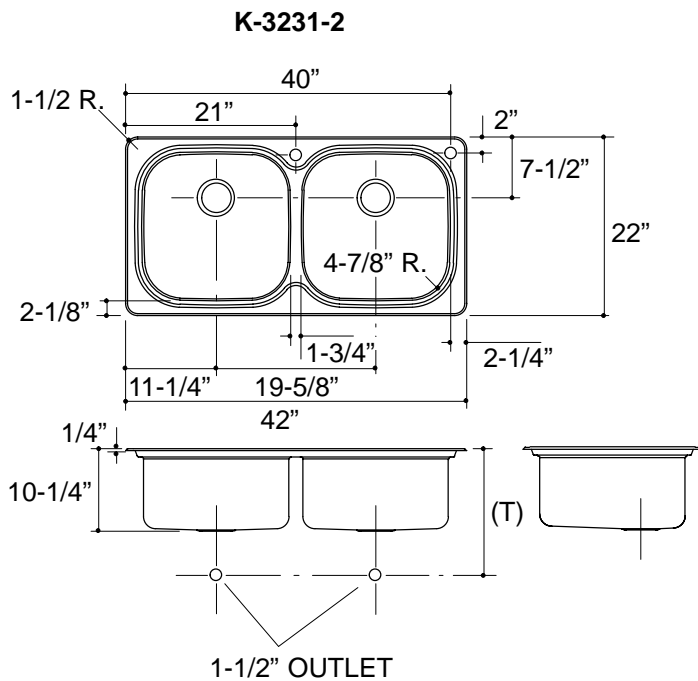
#### PRODUCT SPECIFICATION:

The self-rimming sink shall be 42" in length, and 22" in width. Sink shall be made of 18 gauge stainless steel. Sink shall be double (equal) compartment. Sink shall be 2-hole (K-3231-2), or single-hole (K-3231-1) faucet punched. Sink shall include installation hardware. Sink shall be Kohler Model K-3231-\_\_\_\_\_-\_\_\_\_\_.

## PRODUCT INFORMATION

Fixture*:		basin area	water depth
Sink		18" x 18"	9-1/4"
Outlet	3-5/8" D.		
Faucet holes	1-7/16" D.		

\* Approximate measurements for comparison only.



.8<116

## PRODUCT DIAGRAM