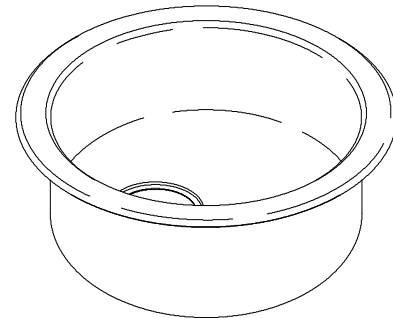


SELF-RIMMING/UNDERCOUNTER SINK

K-3341, K-14302

FEATURES

- 18-3/8" (46.7cm) diameter (self-rimming)
- 15" (38.1cm) diameter x 7-1/2" (19.1cm) deep (undercounter)
- 19 gauge stainless steel
- Undercounter or self-rimming
- Single compartment
- Round bowl
- Includes installation hardware
- Includes SilentShield Plus™ sound-deadening system



CODES/STANDARDS APPLICABLE

Specified model meets or exceeds the following:

- IAPMO/UPC
- CSA International B45
- State of Massachusetts

COLORS/FINISHES

- NA None Applicable
- SBV Satin Bronze

Accessories:

- CP Polished Chrome
- 0 White
- Other Refer to Price Book for additional finishes
- NA None Applicable

SPECIFIED MODEL:

Model	Description	Colors/Finishes
K-3341	Undercounter or self-rimming kitchen sink	<input type="checkbox"/> NA
K-14302	Undercounter or self-rimming entertainment sink	<input type="checkbox"/> SBV

Optional Accessories			
K-6004	Bottom basin rack	<input type="checkbox"/> 0 White	<input type="checkbox"/> Other _____
K-6514	Hardwood cutting board	<input type="checkbox"/> NA	
K-6518	Wire rinse basket	<input type="checkbox"/> 0 White	<input type="checkbox"/> Other _____
K-8801	Duostrainer sink strainer	<input type="checkbox"/> CP	<input type="checkbox"/> Other _____
K-8813	Stainless steel sink strainer	<input type="checkbox"/> CP	
K-8814	Stainless steel sink strainer	<input type="checkbox"/> CP	

PRODUCT SPECIFICATION:

The round self-rimming sink shall be 18-3/8" (46.7cm) in diameter. The round undercounter sink shall be 15" (38.1cm) in diameter, and 7-1/2" (19.1cm) in depth. Sink shall be made of 19 gauge stainless steel. Sink shall be single compartment. Sink shall include installation hardware. Sink shall include SilentShield Plus™ sound-deadening system. Sink shall be Kohler Model K- _____ - _____ - _____.

UNDERTONE/LYRIC™

PRODUCT INFORMATION

Fixture*:		basin area	water depth
Sink		15" D. (38.1cm)	7-1/2" (19.1cm)
Outlet	3-5/8" D. (9.2cm)		
* Approximate measurements for comparison only.			

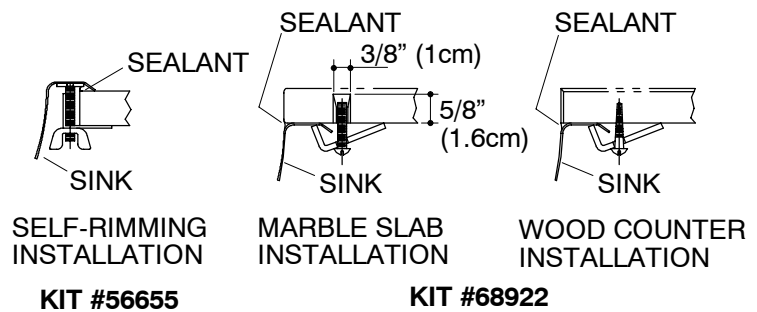
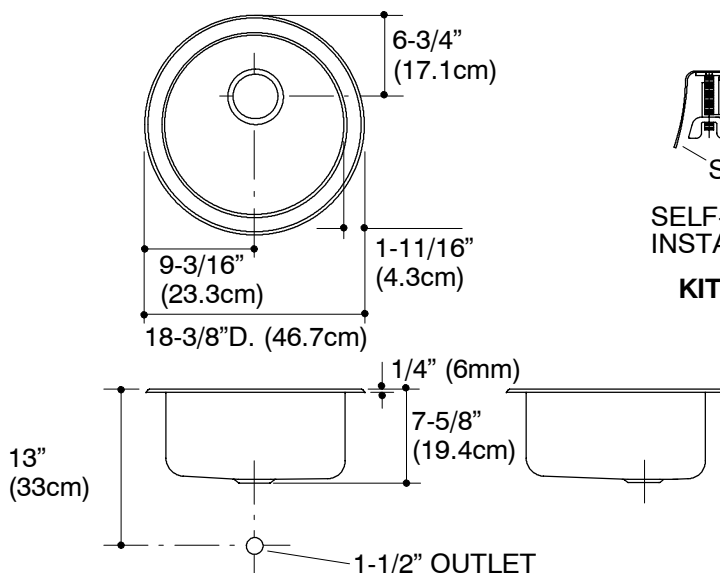
Included Components:	
Basin clamp assembly (undercounter)	68922
Basin clamp assembly (self-rimming)	56655
Cutout template	113392-7

INSTALLATION NOTES

Supplied basin clamp assemblies require 1" (2.5cm) minimum countertop thickness. Installer must supply hardware for thinner countertops.

For multiple bowl undercounter installations, a minimum distance of 3-1/2" (8.9cm) is required between bowls. Countertop supplier to determine required support.

Waterproof unprotected overhang area of the underside of wood counter.



PRODUCT DIAGRAM