

### UNDERCOUNTER KITCHEN SINK K-3350

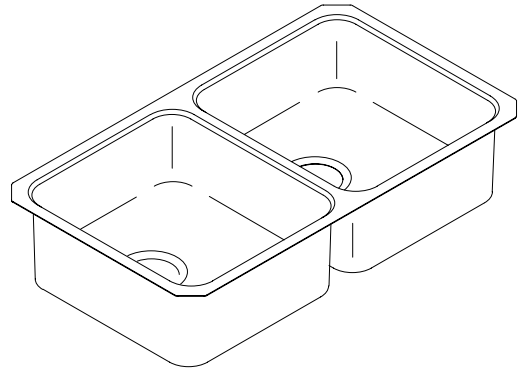
#### Features

- 18 gauge stainless steel
- Double (equal) compartment
- Undercounter
- Squared bowls
- Includes installation hardware
- 29-1/4" (74.3 cm) x 15-3/4" (40 cm)

#### Codes/Standards Applicable

Specified model meets or exceeds the following:

- ASME A112.19.3
- IAPMO/UPC
- Listed in State of Massachusetts



#### Colors/Finishes

- NA: None applicable

#### Accessories:

- CP: Polished Chrome
- 0: White
- NA: None applicable
- Other: Refer to Price Book for additional colors/finishes

#### Specified Model

Model	Description	Colors/Finishes	
K-3350	Undercounter sink	<input type="checkbox"/> NA	
<b>Optional Accessories</b>			
K-3190	Bottom basin rack (for either basin)	<input type="checkbox"/> 0 White	<input type="checkbox"/> Other _____
K-3277	Wire basket (for either basin)	<input type="checkbox"/> 0 White	<input type="checkbox"/> Other _____
K-3294	Hardwood cutting board (for either basin)	<input type="checkbox"/> NA	
K-8801	Duostrainer® sink strainer	<input type="checkbox"/> CP	<input type="checkbox"/> Other _____

#### Product Specification:

The undercounter sink shall be 29-1/4" (74.3 cm) in length, and 15-3/4" (40 cm) in width. Sink shall be made of 18 gauge stainless steel. Sink shall be double (equal) compartment with squared bowls. Sink shall include installation hardware. Sink shall be Kohler Model K-3350.

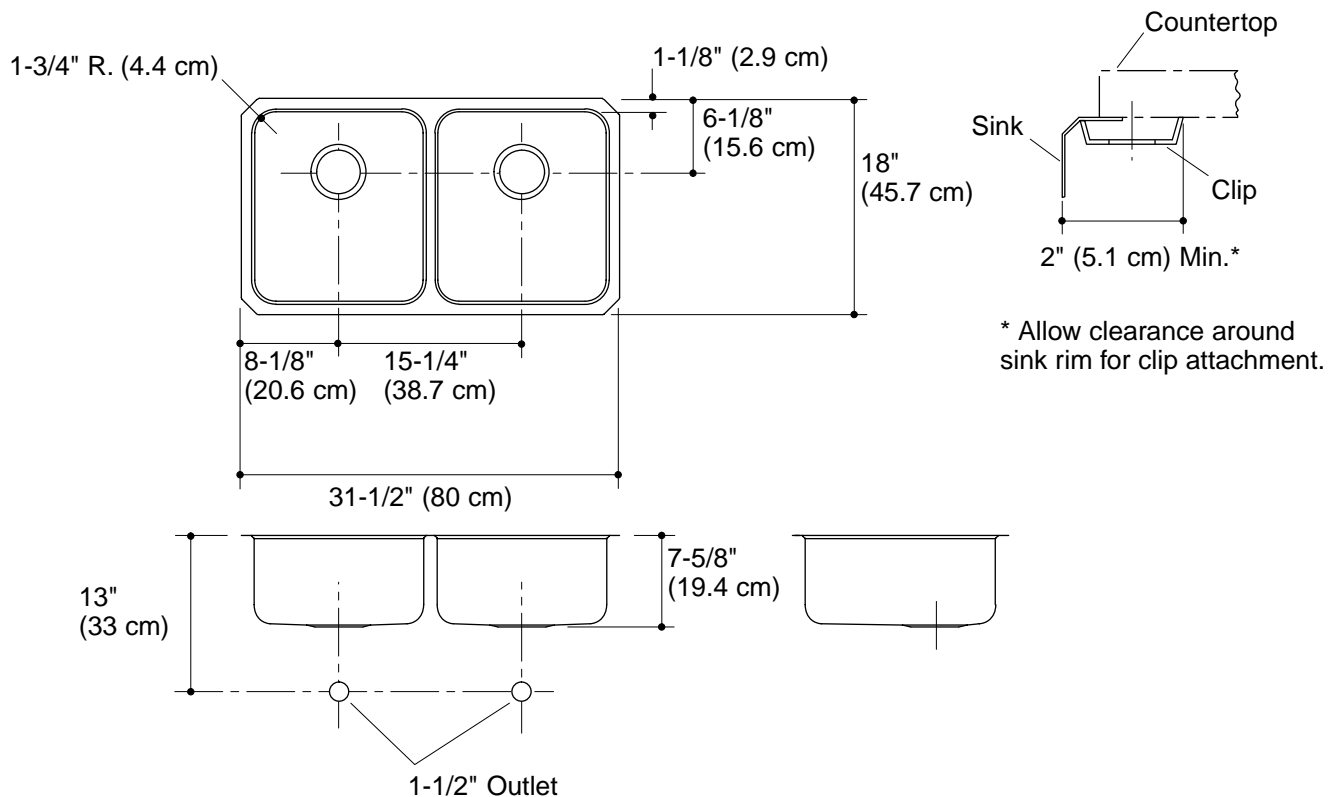
# UNDERTONE™

## Technical Information

Fixture*:		basin area	water depth
Sink		14" (35.6 cm) x 16" (40.6 cm)	7-1/2" (19.1 cm)
Drain	3-5/8" D. (9.2 cm)		
* Approximate measurements for comparison only.			
Included components			
Hardware kit (4 required)		91915	
Cut-out template		1022503-7	

## Installation Notes

Install this product according to the installation guide.



## Product Diagram