

### UNDERCOUNTER KITCHEN SINK K-3354

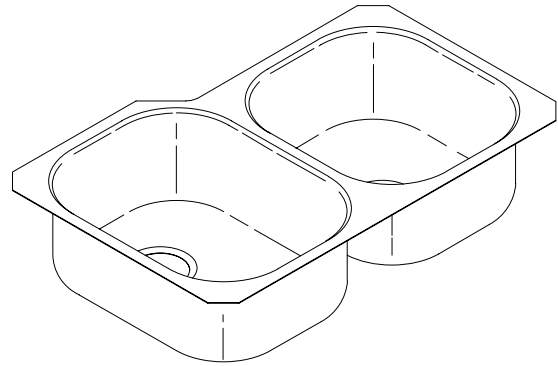
#### Features

- 18 gauge stainless steel
- Double (large/medium) compartment
- Undercounter
- Rounded bowls
- Includes installation hardware
- 28-3/4" (74.3 cm) x 17-7/8" (45.4 cm)
- 7-1/2" (19.1 cm) deep basins

#### Codes/Standards Applicable

Specified model meets or exceeds the following:

- ASME A112.19.3
- IAPMO/UPC
- Listed in State of Massachusetts
- CSA B45



#### Colors/Finishes

- NA: None applicable

#### Accessories:

- CP: Polished Chrome
- 0: White
- NA: None applicable
- Other: Refer to Price Book for additional colors/finishes

#### Specified Model

Model	Description	Colors/Finishes	
K-3354	Undercounter sink	<input type="checkbox"/> NA	
Optional Accessories			
K-3291	Colander (for either basin)	<input type="checkbox"/> 0 White	<input type="checkbox"/> Other _____
K-3280	Wire basket (for either basin)	<input type="checkbox"/> 0 White	<input type="checkbox"/> Other _____
K-3278	Hardwood cutting board (for either basin)	<input type="checkbox"/> NA	
K-8801	Duostrainer® sink strainer	<input type="checkbox"/> CP	<input type="checkbox"/> Other _____

#### Product Specification:

The undercounter sink shall be 28-3/4" (74.3 cm) in length, and 17-7/8" (45.4 cm) in width. Sink shall be made of 18 gauge stainless steel. Sink shall be double (large/medium) compartment with rounded bowls. Sink shall have 7-1/2" (19.1 cm) deep basins. Sink shall include installation hardware. Sink shall be Kohler Model K-3354.

# UNDERTONE™

## Technical Information

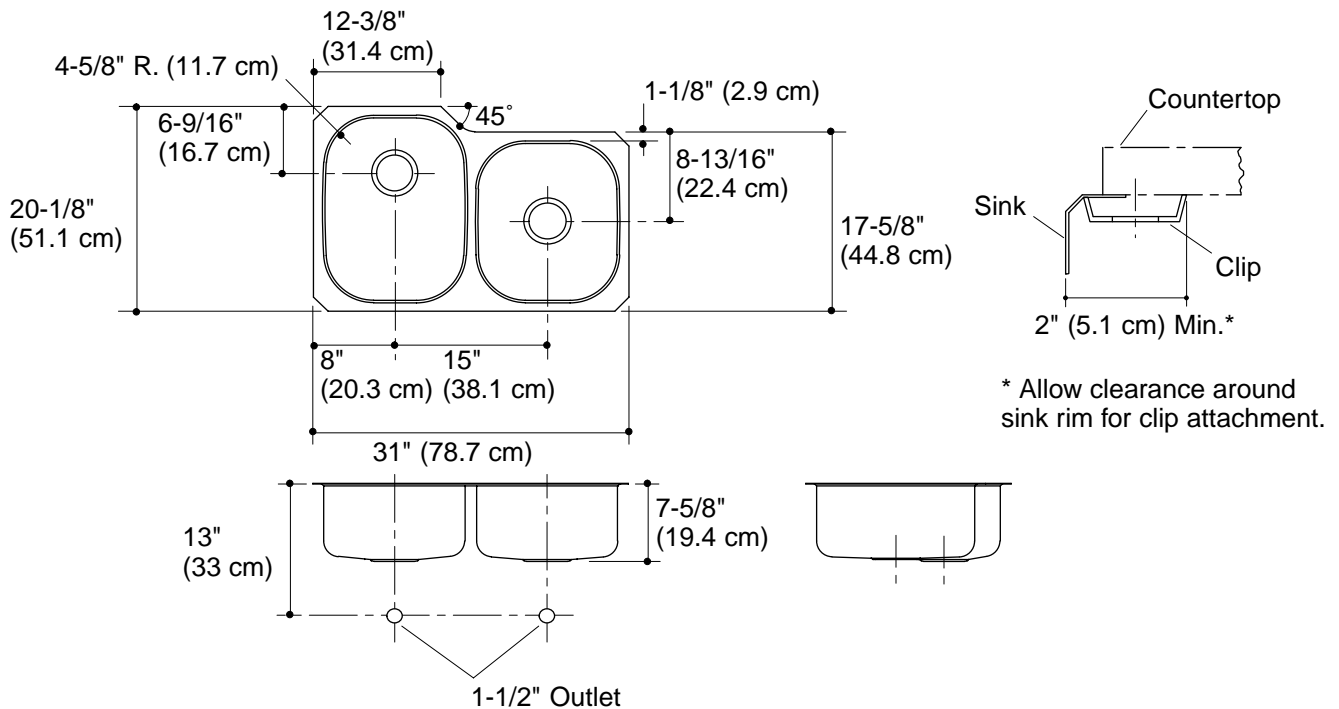
Fixture*:		basin area	water depth
Sink, left		14" (35.6 cm) x 18" (45.7 cm)	7-1/2" (19.1 cm)
Sink, right		14" (35.6 cm) x 15" (38.1 cm)	7-1/2" (19.1 cm)
Drain	3-5/8" D. (9.2 cm)		

\* Approximate measurements for comparison only.

Included components	
Hardware kit (4 required)	91915
Cut-out template	1022528-7

## Installation Notes

Install this product according to the installation guide.



## Product Diagram