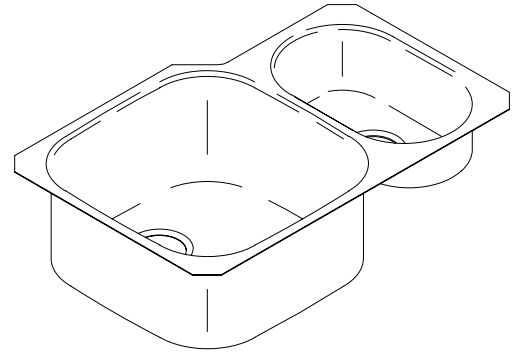


### UNDERCOUNTER KITCHEN SINK K-3355

#### Features

- 18 gauge stainless steel
- Double (high/low) compartment
- Undercounter
- Rounded bowls
- Includes installation hardware
- 28-1/2" (72.4 cm) x 17-7/8" (45.4 cm)
- 9-1/2" (24.1 cm) deep left basin and 5-1/2" (14 cm) deep right basin



#### Codes/Standards Applicable

Specified model meets or exceeds the following:

- ASME A112.19.3
- IAPMO/UPC
- CSA B45

#### Colors/Finishes

- NA: None applicable

#### Accessories:

- CP: Polished Chrome
- 0: White
- Other: Refer to Price Book for additional colors/finishes

#### Specified Model

Model	Description	Colors/Finishes	
K-3355	Undercounter sink	<input type="checkbox"/> NA	
<b>Optional Accessories</b>			
K-3191	Bottom basin rack (for left basin only)	<input type="checkbox"/> 0 White	<input type="checkbox"/> Other_____
K-3279	Wire basket (for left basin only)	<input type="checkbox"/> 0 White	<input type="checkbox"/> Other_____
K-3292	Hardwood cutting board (for small basin)	<input type="checkbox"/> NA	
K-8801	Duostrainer® sink strainer	<input type="checkbox"/> CP	<input type="checkbox"/> Other_____

#### Product Specification:

The undercounter sink shall be 28-1/2" (72.4 cm) in length, and 17-7/8" (45.4 cm) in width. Sink shall be made of 18 gauge stainless steel. Sink shall be double (high/low) compartment with rounded bowls. Sink shall have 9-1/2" (24.1 cm) deep left basin and 5-1/2" (14 cm) deep right basin. Sink shall include installation hardware. Sink shall be Kohler Model K-3355.

# UNDERTONE™

## Technical Information

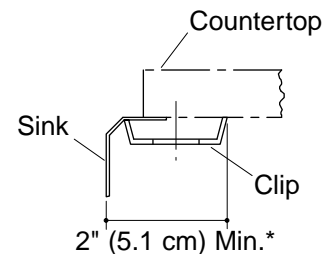
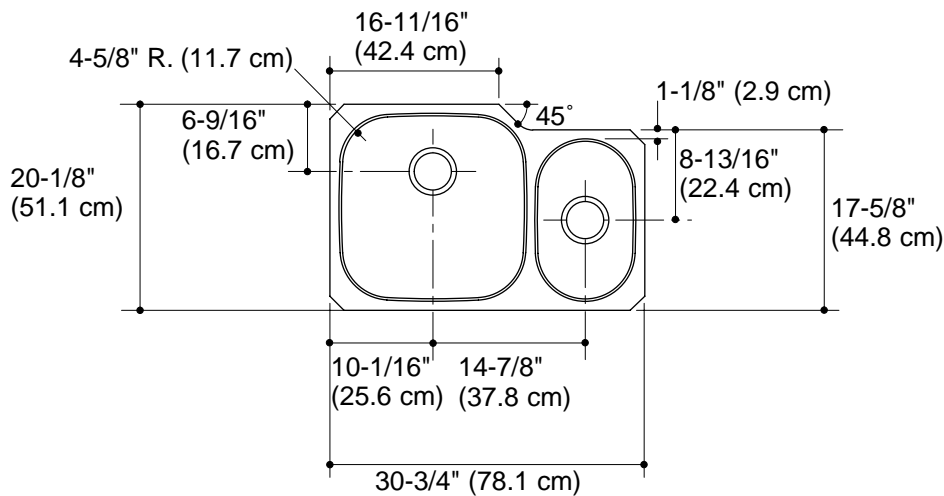
Fixture*:		basin area	water depth
Sink, left		18" (45.7 cm) x 18" (45.7 cm)	9-1/2" (24.1 cm)
Sink, right		9" (22.9 cm) x 15" (48.1 cm)	5-1/2" (14 cm)
Drain	3-5/8" D. (9.2 cm)		

\* Approximate measurements for comparison only.

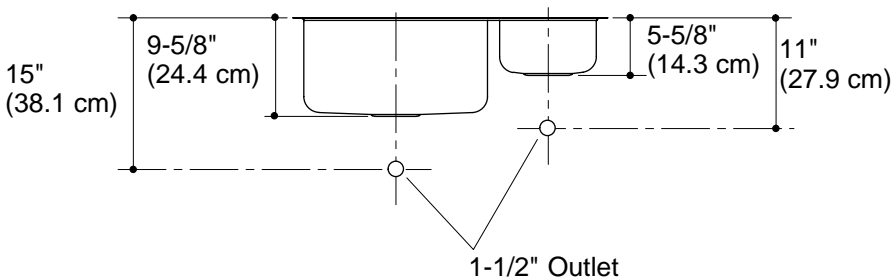
Included components	
Hardware kit (4 required)	91915
Cut-out template	1022529-7

## Installation Notes

Install this product according to the installation guide.



\* Allow clearance around sink rim for clip attachment.



## Product Diagram