

UNDERCOUNTER KITCHEN SINK K-3356

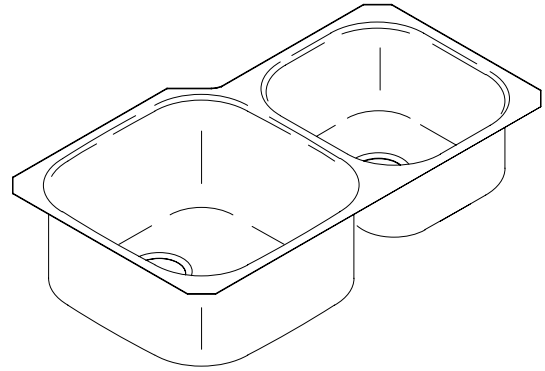
Features

- 18 gauge stainless steel
- Undercounter
- Double (extra large/medium) compartment
- Rounded bowls
- Includes installation hardware
- 32-7/8" (83.5 cm) x 17-7/8" (45.4 cm)
- 9-1/2" (24.1 cm) deep left basin and 7-1/2" (19.1 cm) deep right basin

Codes/Standards Applicable

Specified model meets or exceeds the following:

- ASME A112.19.3
- IAPMO/UPC
- Listed in State of Massachusetts
- CSA B45



Colors/Finishes

- NA: None applicable

Accessories:

- CP: Polished Chrome
- 0: White
- NA: None applicable
- Other: Refer to Price Book for additional colors/finishes

Specified Model

Model	Description	Colors/Finishes	
K-3356	Undercounter sink	<input type="checkbox"/> NA	
Optional Accessories			
K-3191	Bottom basin rack (for the left basin only)	<input type="checkbox"/> 0 White	<input type="checkbox"/> Other _____
K-3279	Wire basket (for left basin only basin)	<input type="checkbox"/> 0 White	<input type="checkbox"/> Other _____
K-3278	Hardwood cutting board (for right basin only)	<input type="checkbox"/> NA	
K-3291	Colander (for right basin only)	<input type="checkbox"/> 0 White	<input type="checkbox"/> Other _____
K-8801	Duostrainer® sink strainer	<input type="checkbox"/> CP	<input type="checkbox"/> Other _____

Product Specification:

The undercounter sink shall be 32-7/8" (83.5 cm) in length, and 17-7/8" (45.4 cm) in width. Sink shall be made of 18 gauge stainless steel. Sink shall be double (extra large/medium) compartment with rounded bowls. Sink shall have 9-1/2" (24.1 cm) deep left basin and 7-1/2" (19.1 cm) deep right basin. Sink shall include installation hardware. Sink shall be Kohler Model K-3356.

UNDERTONE™

Technical Information

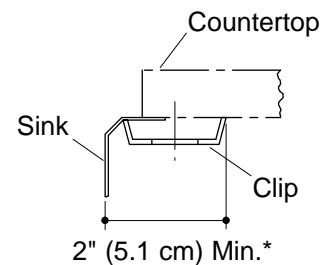
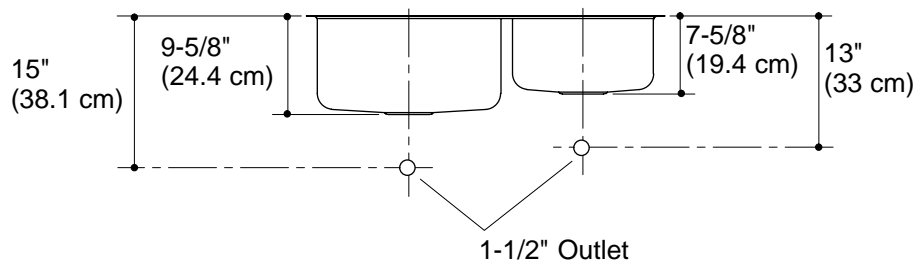
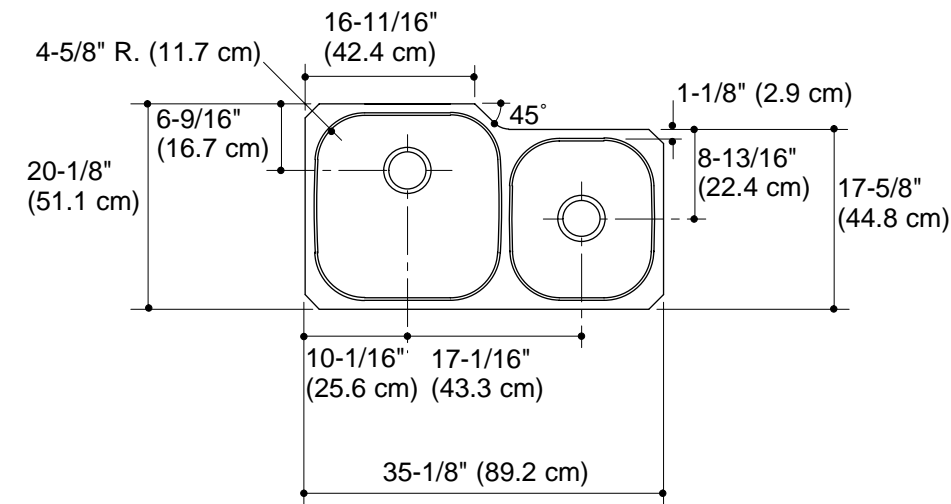
Fixture*:		basin area	water depth
Sink, left		18" (45.7 cm) x 18" (45.7 cm)	9-1/2" (24.1 cm)
Sink, right		14" (35.6 cm) x 15" (38.1 cm)	7-1/2" (19.1 cm)
Drain	3-5/8" D. (9.2 cm)		

* Approximate measurements for comparison only.

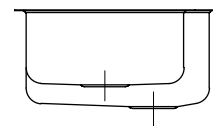
Included components	
Hardware kit (4 required)	91915
Cut-out template	1022530-7

Installation Notes

Install this product according to the installation guide.



* Allow clearance around sink rim for clip attachment.



Product Diagram