



**CROWN
PLATINUM**

KINDRED

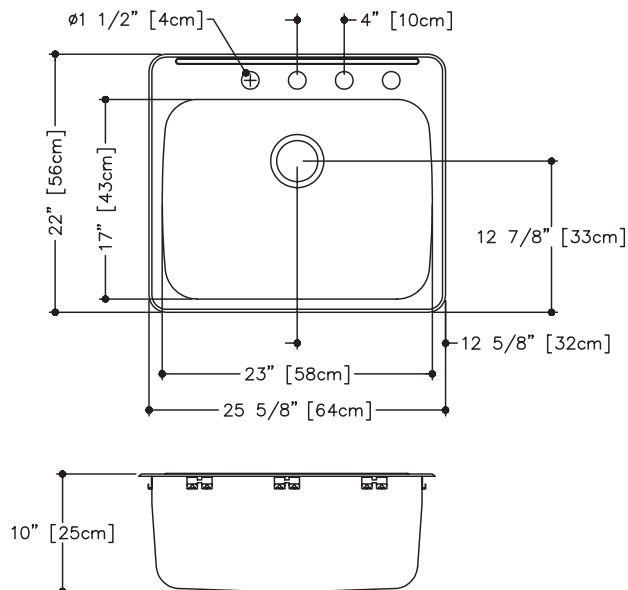
P. O. Box 1010, Ruston, LA 71273-1010
Customer Service: 1.800.637.6485

- **18-10 Stainless Steel**
- **Fully Undercoated**
- **Factory Applied Rim Seal**
- **One I135 Drain Assembly Included**
- **Limited Lifetime Buyer Warranty**



Fits 27" Cabinet

Model #	Faucet Holes	Finish Deck/Bowl	Bowl Size ↑ X ←	Sink Depth	Overall Dimension	Gauge	Cutout Dimension
S2225/10ML/1E	1	Mirror/Lustre	17" x 23"	10"	22" x 25 5/8"	18	21" x 24 1/4" 2" Radius
S2225/10ML/3E	3						
S2225/10ML/4E	4						
S2225/10RL/1E	1	Radiant Brushed/ Lustre					
S2225/10RL/3E	3						
S2225/10RL/4E	4						



JOB NAME: _____

DATE: _____

CUSTOMER: _____

MODEL SPECIFIED: _____

QUANTITY: _____

ARCHITECT/ENGINEER: _____

CONTRACTOR: _____