



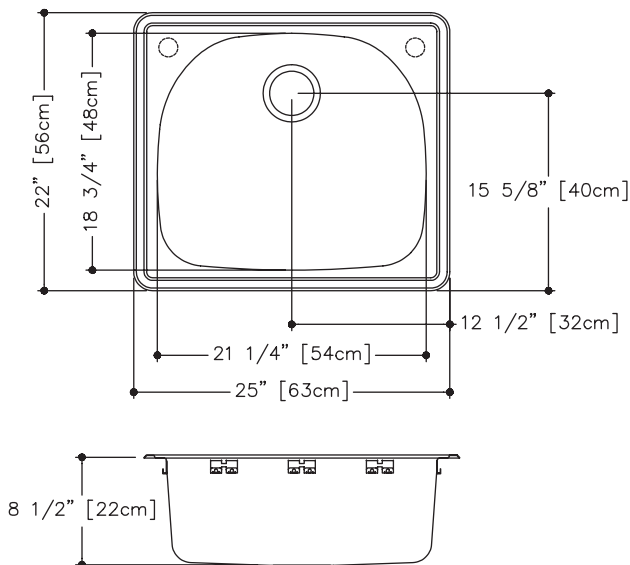
P. O. Box 1010, Ruston, LA 71273-1010
 Customer Service: 1.800.637.6485

- 18-10 Stainless Steel
- Fully Undercoated
- Factory Applied Rim Seal
- One I135 Drain Assembly Included
- Limited Lifetime Buyer Warranty



Fits 27" Cabinet

Model #	Faucet Holes	Finish Deck/Bowl	Bowl Size ↕ × ↔	Sink Depth	Overall Dimension	Gauge	Cutout Dimension
S2225/85ML/E	0	Mirror/Lustre	18 3/4" x 21 1/4"	8 1/2"	22" x 25"	18	Refer To Template
S2225/85ML/1RE	1 on right						
S2225/85ML/2E	2						



JOB NAME: _____

DATE: _____

CUSTOMER: _____

MODEL SPECIFIED: _____

QUANTITY: _____

ARCHITECT/ENGINEER: _____

CONTRACTOR: _____