



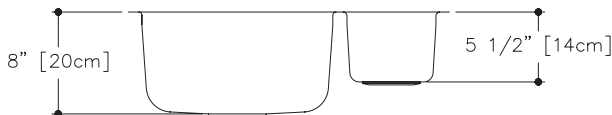
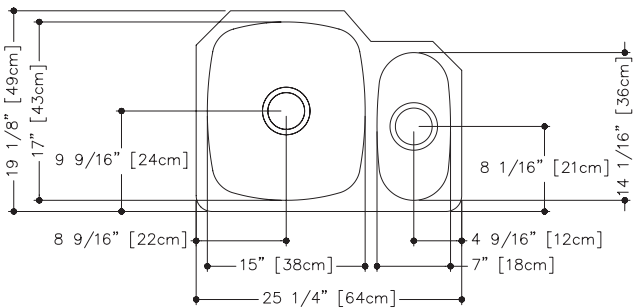
P. O. Box 1010, Ruston, LA 71273-1010  
Customer Service: 1.800.637.6485

- 18-10 Stainless Steel
- Fully Undercoated
- Masonite Template Supplied
- Two I135 Drain Assemblies Included
- Limited Lifetime Buyer Warranty



Fits 30" Cabinet

Model #	Faucet Holes	Finish Deck/Bowl	Bowl Size ↕ × ↔	Sink Depth	Overall Dimension	Gauge	Cutout Dimension
UC1925/80ML/E	NA	Mirror/Lustre	L: 17" x 15" R: 14 1/16" x 7"	L: 8" R: 5 1/2"	19 1/8" x 25 1/4"	18	Refer To Template



JOB NAME: \_\_\_\_\_

DATE: \_\_\_\_\_

CUSTOMER: \_\_\_\_\_

MODEL SPECIFIED: \_\_\_\_\_

QUANTITY: \_\_\_\_\_

ARCHITECT/ENGINEER: \_\_\_\_\_

CONTRACTOR: \_\_\_\_\_