

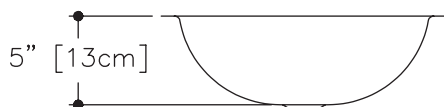
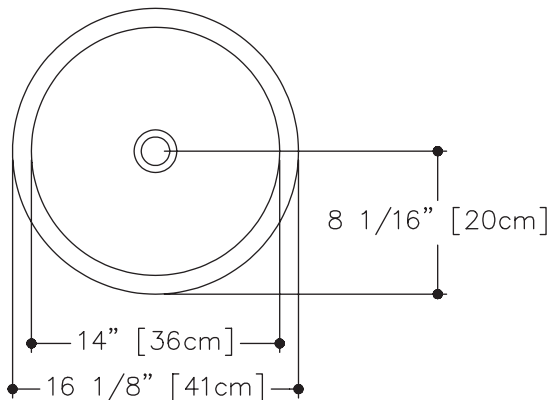
- **18-10 Stainless Steel**
- **Fully Undercoated**
- **Masonite Template Supplied**
- **Requires Lavatory Drain Assembly**
Includes brass tube and drain gasket to cover overflow holes in faucet drain assembly
- **Limited Lifetime Buyer Warranty**



Fits 21" Cabinet

Model #	Faucet Holes	Finish Deck/Bowl	Bowl Size ↕ X ↔	Sink Depth	Overall Dimension	Gauge	Cutout Dimension
UR16/50L/E	NA	Mirror/Lustre	14" Diameter	5"	16 1/8" Diameter	18	14 5/8" Diameter

*This vanity basin does not have an overflow. Lavatory waste without overflow holes is recommended.



JOB NAME: _____

DATE: _____

CUSTOMER: _____

MODEL SPECIFIED: _____

QUANTITY: _____

ARCHITECT/ENGINEER: _____

CONTRACTOR: _____