



P. O. Box 1010, Ruston, LA 71273-1010
Customer Service: 1.800.637.6485

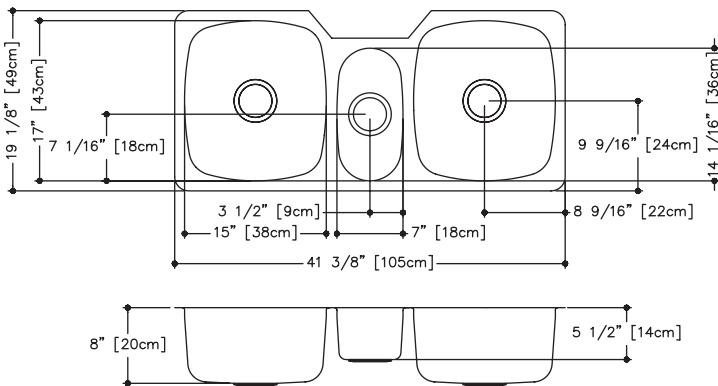
- 18-10 Stainless Steel
- Fully Undercoated
- Masonite Template Supplied
- Three I135 Drain Assemblies Included
- Limited Lifetime Buyer Warranty



Fits 45" Cabinet. Special installation required. Consult with fabricator.

Model #	Faucet Holes	Finish Deck/Bowl	Bowl Size ↕ X ↔	Sink Depth	Overall Dimension	Gauge	Cutout Dimension
UT1941/80ML/E	NA	Mirror/Lustre	L: 17" x 15" C: 14 1/16" x 7" R: 17" x 15"	L: 8" C: 5 1/2" R: 8"	19 1/8" x 41 3/8"	18	Refer To Template*

*DXF files are available for use with CNC equipment. Visit our website.



JOB NAME: _____

DATE: _____

CUSTOMER: _____

MODEL SPECIFIED: _____

QUANTITY: _____

ARCHITECT/ENGINEER: _____

CONTRACTOR: _____