



**CROWN
PLATINUM**



KINDRED

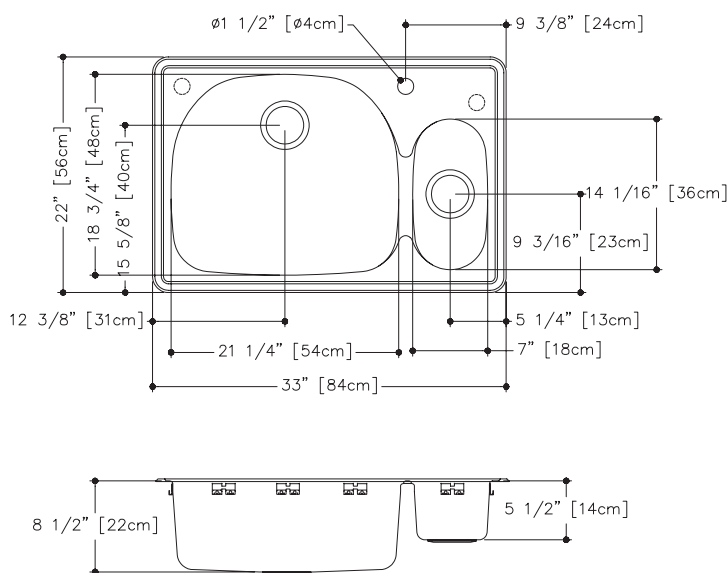
P. O. Box 1010, Ruston, LA 71273-1010
Customer Service: 1.800.637.6485

- **18-10 Stainless Steel**
- **Fully Undercoated**
- **Factory Applied Rim Seal**
- **Two I135 Drain Assemblies Included**
- **Limited Lifetime Buyer Warranty**



Fits 36" Cabinet

Model #	Faucet Holes	Finish Deck/Bowl	Bowl Size ↕ X ↔	Sink Depth	Overall Dimension	Gauge	Cutout Dimension
X2233/85ML/1E	1	Mirror/Lustre	L: 18 3/4" x 21 1/4" R: 14 1/16" x 7"	L: 8 1/2" R: 5 1/2"	22" x 33"	18	Refer To Template
X2233/85ML/2E	2						
X2233/85ML/3E	3						



JOB NAME: _____

DATE: _____

CUSTOMER: _____

MODEL SPECIFIED: _____

QUANTITY: _____

ARCHITECT/ENGINEER: _____

CONTRACTOR: _____