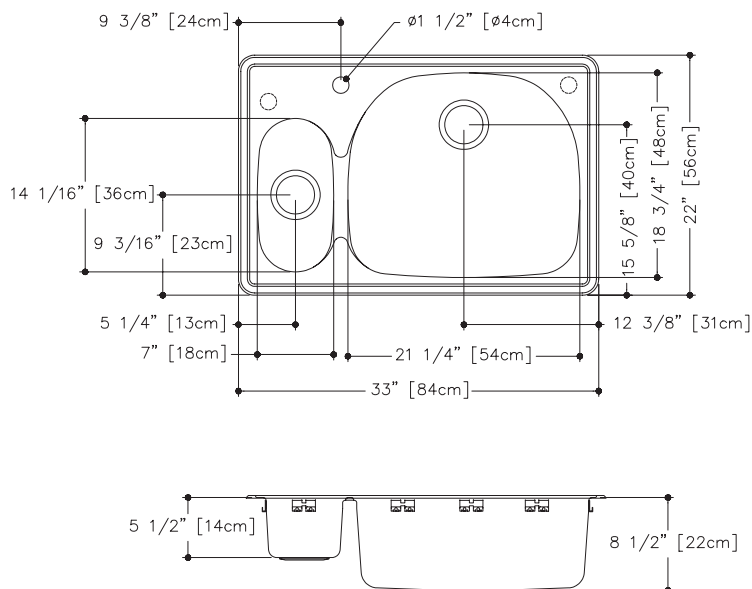


- 18-10 Stainless Steel
- Fully Undercoated
- Factory Applied Rim Seal
- Two 1135 Drain Assemblies Included
- Limited Lifetime Buyer Warranty



Fits 36" Cabinet

Model #	Faucet Holes	Finish Deck/Bowl	Bowl Size ↕ X ↔	Sink Depth	Overall Dimension	Gauge	Cutout Dimension
XL2233/85ML/1E	1	Mirror/Lustre	L: 14 1/16" x 7" R: 18 3/4" x 21 1/4"	L: 5 1/2" R: 8 1/2"	22" x 33"	18	Refer To Template
XL2233/85ML/2E	2						
XL2233/85ML/3E	3						



JOB NAME: _____

DATE: _____

CUSTOMER: _____

MODEL SPECIFIED: _____

QUANTITY: _____

ARCHITECT/ENGINEER: _____

CONTRACTOR: _____