

### UNDERCOUNTER SINK K-3148

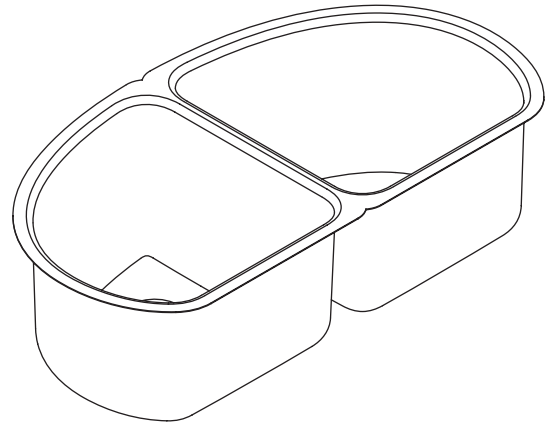
#### Features

- 18 gauge stainless steel
- Double (equal) compartment
- Undercounter
- Includes installation hardware
- 32-5/16" (82.1 cm) x 16-1/8" (41 cm)
- 9-1/2" (24.1 cm) deep basins

#### Codes/Standards Applicable

Specified model meets or exceeds the following:

- IAPMO/UPC
- ASME A112.19.3
- CSA B45



#### Colors/Finishes

- NA: None applicable

#### Accessories:

- CP: Polished Chrome
- Other: Refer to Price Book for additional colors/finishes

#### Specified Model

Model	Description	Colors/Finishes
K-3148	Undercounter sink	<input type="checkbox"/> NA
Optional Accessories		
K-8801	Duostrainer® sink strainer	<input type="checkbox"/> CP <input type="checkbox"/> Other_____

#### Product Specification:

The undercounter sink shall be 32-5/16" (82.1 cm) in length and 16-1/8" (41 cm) in width. Sink shall be made of 18 gauge stainless steel. Sink shall be double (equal) compartment. Sink shall have 9-1/2" (24.1 cm) deep basins. Sink shall include installation hardware. Sink shall be Kohler Model K-3148-\_\_\_\_\_.

# UNDERTONE™

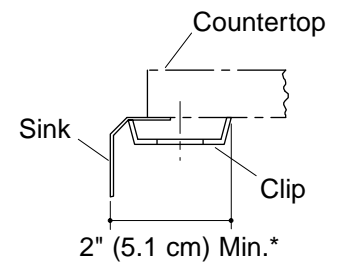
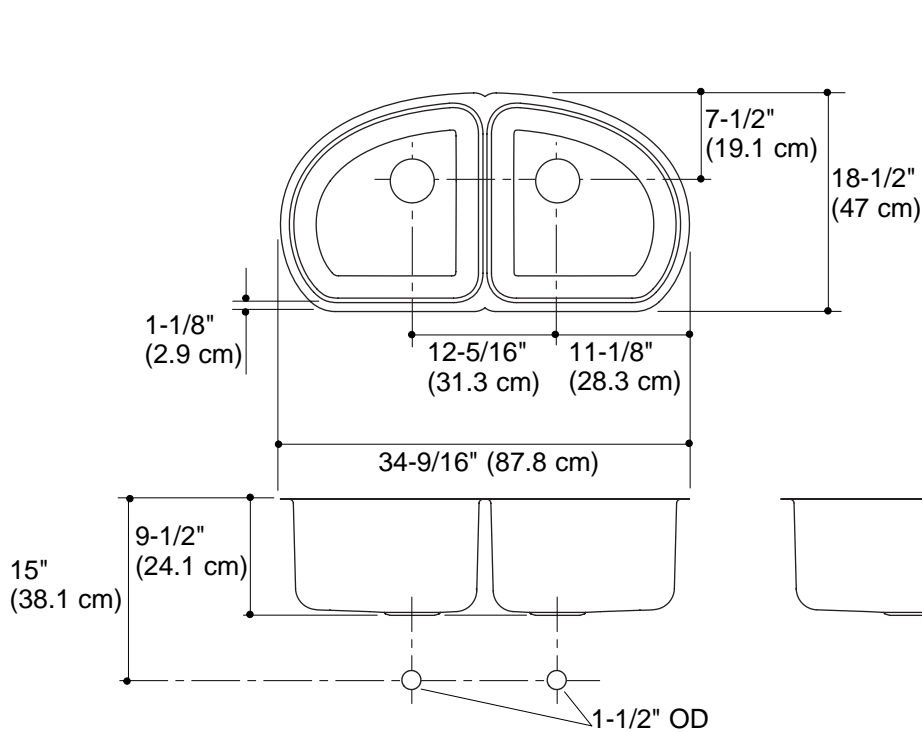
## Technical Information

Fixture:*	basin area	water depth
Sink, left	16-1/8" (41 cm) x 15-5/8" (39.7 cm)	9-1/2" (24.1 cm)
Sink, right	16-1/8" (41 cm) x 15-5/8" (39.7 cm)	9-1/2" (24.1 cm)
Drain Holes	3-5/8" D. (9.2 cm)	
* Approximate measurements for comparison only.		

Included Components:	
Hardware kit (4 required)	91915
Cutout template	1040322-7

## Installation Notes

Install this product according to the installation guide.



\* Allow clearance around sink rim for clip attachment.

## Product Diagram