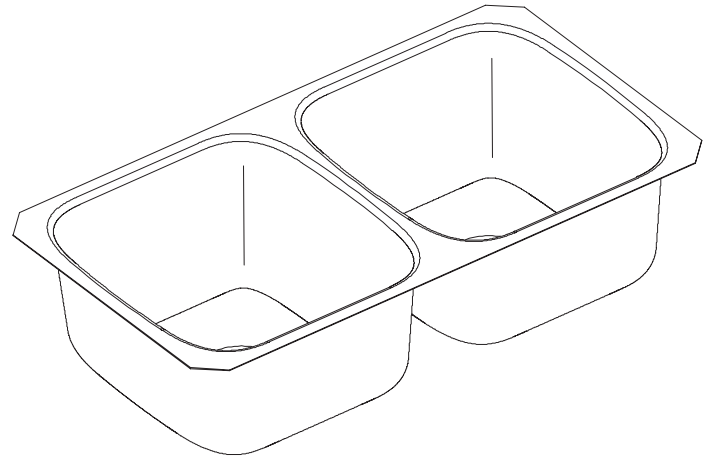


FEATURES

- 29-1/2" (74.9cm) x 15-3/4" (40cm)
- 18 gauge stainless steel
- Undercounter
- Double (equal) compartment
- Includes installation hardware
- 7-5/8" (19.4cm) deep basins



CODES/STANDARDS APPLICABLE

Specified model meets or exceeds the following:

- IAPMO/UPC
- Canadian Standards Association (CSA)

COLORS/FINISHES

- NA None Applicable

Accessories:

- CP Polished Chrome
- ST Stainless Steel
- NA None Applicable
- Other Refer to Price Book for additional colors

SPECIFIED MODEL:

Model	Description	Colors/Finishes
K-3180	Undercounter sink	<input type="checkbox"/> NA

Optional Accessories		
K-3119	Hardwood cutting board (for either basin)	<input type="checkbox"/> NA
K-3129	Stainless steel bottom basin rack (for either basin)	<input type="checkbox"/> ST
K-3135	Stainless steel colander (for either basin)	<input type="checkbox"/> ST
K-8801	Duostrainer® sink strainer	<input type="checkbox"/> CP <input type="checkbox"/> Other_____
K-8813	Stainless steel sink strainer	<input type="checkbox"/> CP
K-8814	Stainless steel sink strainer	<input type="checkbox"/> CP

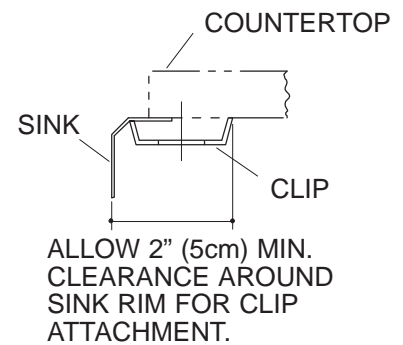
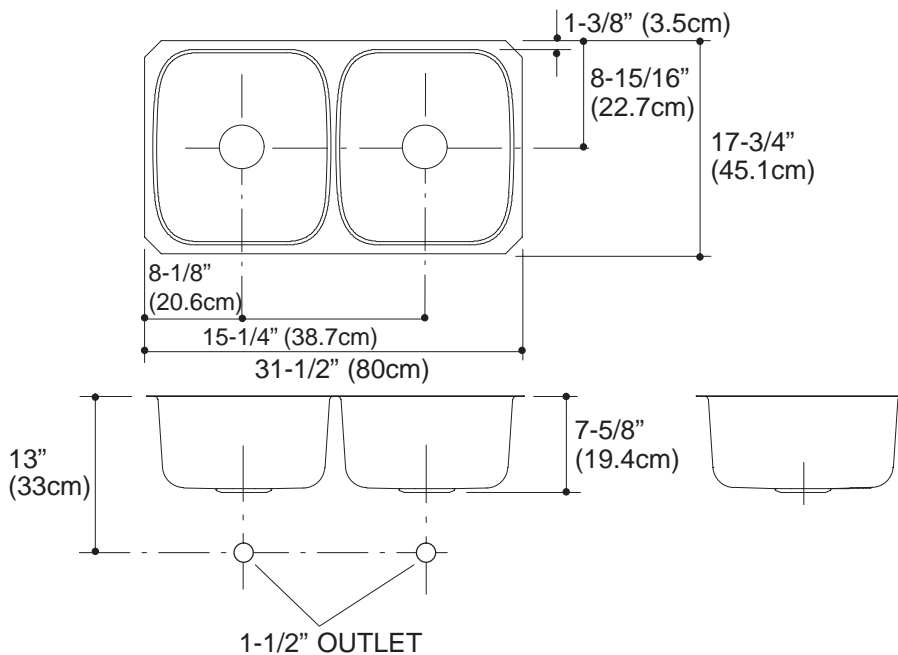
PRODUCT SPECIFICATION:

The undercounter sink shall be 29-1/2" (74.9cm) in length, and 15-3/4" (40cm) in width. Sink shall be made of 18 gauge stainless steel. Sink shall be double (equal) compartment. Sink shall include installation hardware. Sink shall be Kohler Model K-3180-_____.

UNDERTONE™

PRODUCT INFORMATION

Fixture*:		basin area	water depth
Sinks		14-1/2" (36.8cm) x 15-3/4" (40cm)	7-5/8" (19.4cm)
Drain	3-5/8" D. (9.2cm)		
* Approximate measurements for comparison only.			
Included Components:			
Hardware kit			91915
Cutout template			1016732-7



116

PRODUCT DIAGRAM