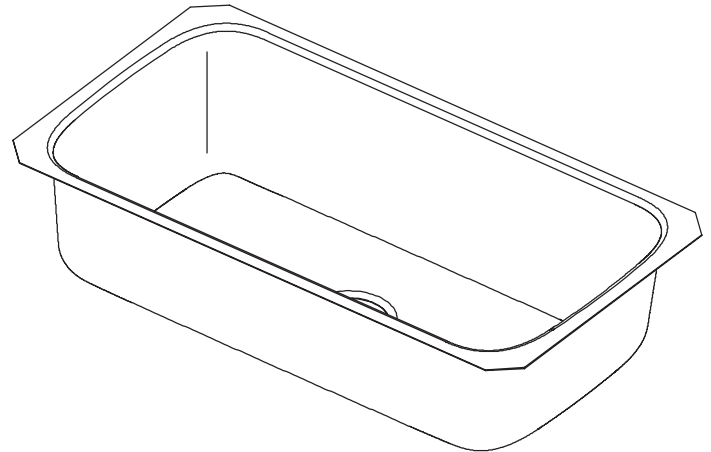


FEATURES

- 29-1/2" (74.9cm) x 15-3/4" (40cm)
- 18 gauge stainless steel
- Undercounter
- Single compartment
- Includes installation hardware
- 7-5/8" (19.4cm)



CODES/STANDARDS APPLICABLE

Specified model meets or exceeds the following:

- IAPMO/UPC
- Canadian Standards Association (CSA)

COLORS/FINISHES

- NA None Applicable

Accessories:

- CP Polished Chrome
- ST Stainless Steel
- NA None Applicable
- Other Refer to Price Book for additional colors

SPECIFIED MODEL:

Model	Description	Colors/Finishes
K-3183	Undercounter sink	<input type="checkbox"/> NA
Optional Accessories		
K-3119	Hardwood cutting board	<input type="checkbox"/> NA
K-3133	Stainless steel bottom basin rack	<input type="checkbox"/> ST
K-3135	Stainless steel colander	<input type="checkbox"/> ST
K-8801	Duostrainer® sink strainer	<input type="checkbox"/> CP <input type="checkbox"/> Other_____
K-8813	Stainless steel sink strainer	<input type="checkbox"/> CP
K-8814	Stainless steel sink strainer	<input type="checkbox"/> CP

PRODUCT SPECIFICATION:

The undercounter sink shall be 29-1/2" (74.9cm) in length, and 15-3/4" (40cm) in width. Sink shall be made of 18 gauge stainless steel. Sink shall be a single compartment. Sink shall include installation hardware. Sink shall be Kohler Model K-3183-_____.

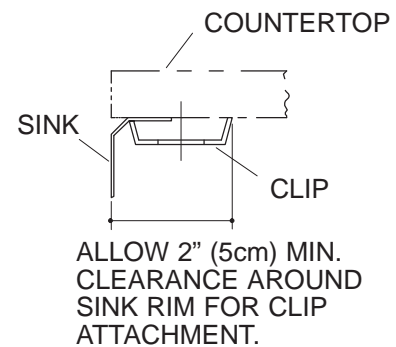
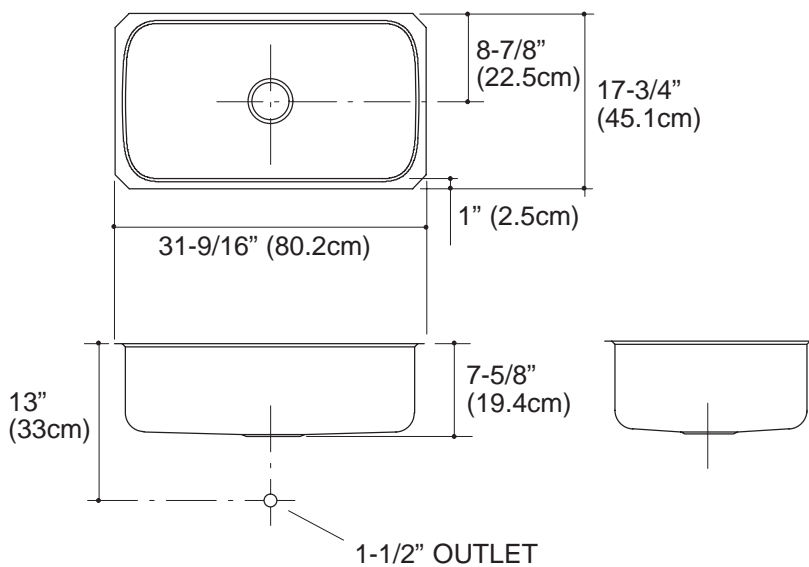
UNDERTONE™

PRODUCT INFORMATION

Fixture*:		basin area	water depth
Sink		29-1/2" (74.9cm) x 15-3/4" (40cm)	7-5/8" (19.4cm)
Outlet	3-5/8" D. (9.2cm)		

* Approximate measurements for comparison only.

Included Components:	
Hardware kit	91915
Cutout template	1016732-7



PRODUCT DIAGRAM