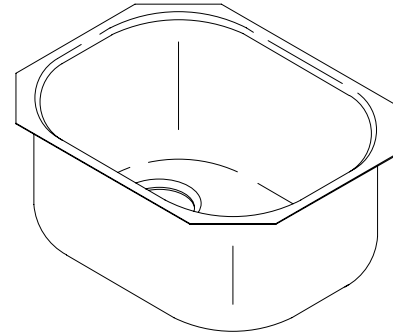


FEATURES

- 13-3/4" x 17-7/8"
- 18 gauge stainless steel
- Undercounter
- Single compartment
- Rounded bowl
- Includes installation hardware



CODES/STANDARDS APPLICABLE

Specified model meets or exceeds the following:

- IAPMO/UPC
- State of Massachusetts

COLORS/FINISHES

- NA None Applicable

Accessories:

- CP Polished Chrome
- 0 White
- Other Refer to Price Book for additional colors
- NA None Applicable

SPECIFIED MODEL:

Model	Description	Colors/Finishes
K-3337	Undercounter sink	<input type="checkbox"/> NA

Optional Accessories		
K-3278	Hardwood cutting board	<input type="checkbox"/> NA
K-3280	Wire basket	<input type="checkbox"/> 0 White <input type="checkbox"/> Other_____
K-3291	Colander	<input type="checkbox"/> 0 White <input type="checkbox"/> Other_____
K-8801	Duostrainer sink strainer	<input type="checkbox"/> CP <input type="checkbox"/> Other_____

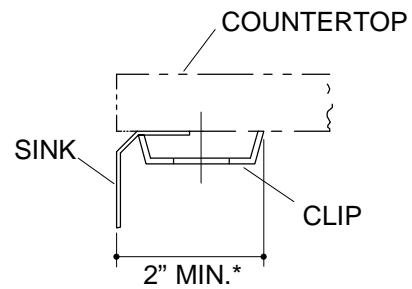
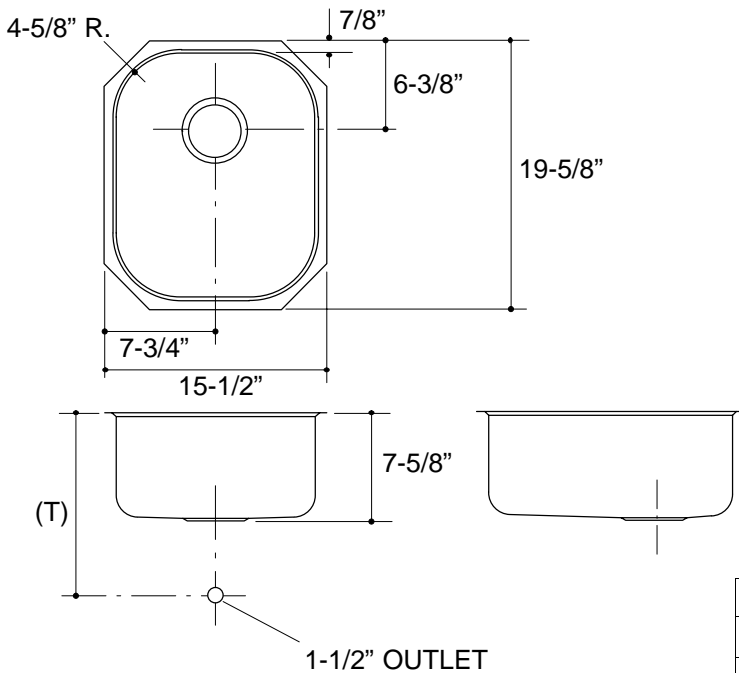
PRODUCT SPECIFICATION:

The undercounter sink shall be 13-3/4" in length, and 17-7/8" in width. Sink shall be made of 18 gauge stainless steel. Sink shall be single compartment with rounded bowl. Sink shall include installation hardware. Sink shall be Kohler Model K-3337-_____.

UNDERTONE™

PRODUCT INFORMATION

Fixture*:		basin area	water depth
Sink		14" x 18"	7-1/2"
Outlet	3-5/8" D.		
* Approximate measurements for comparison only.			
Included Components:			
Hardware kit			91915
Cutout template			113198



Roughing-In Notes
(T) Drain typically 13".
*Allow clearance around sink rim for clip attachment.

1.15>116

PRODUCT DIAGRAM