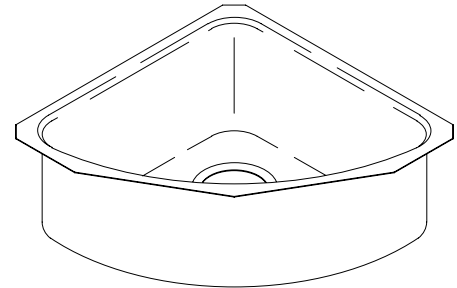


FEATURES

- 15-3/4" x 15-3/4"
- 18 gauge stainless steel
- Undercounter
- Single compartment
- Quarter-round bowl
- Includes installation hardware



CODES/STANDARDS APPLICABLE

Specified model meets or exceeds the following:

- IAPMO/UPC
- Canadian Standards Association (CSA)
- State of Massachusetts

COLORS/FINISHES

- NA None Applicable

Accessories:

- CP Polished Chrome
- NA None Applicable
- Other Refer to Faucets Price Book for additional finishes

SPECIFIED MODEL:

Model	Description	Colors/Finishes
K-3343	Undercounter sink	<input type="checkbox"/> NA
Optional Accessories		
K-3294	Hardwood cutting board	<input type="checkbox"/> NA
K-8801	Duostrainer sink strainer	<input type="checkbox"/> CP <input type="checkbox"/> Other_____
K-8813	Stainless steel sink strainer	<input type="checkbox"/> CP
K-8814	Stainless steel sink strainer	<input type="checkbox"/> CP

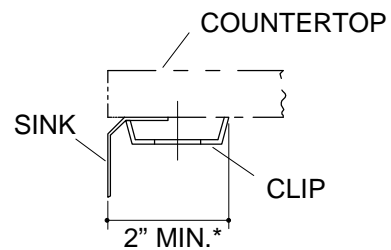
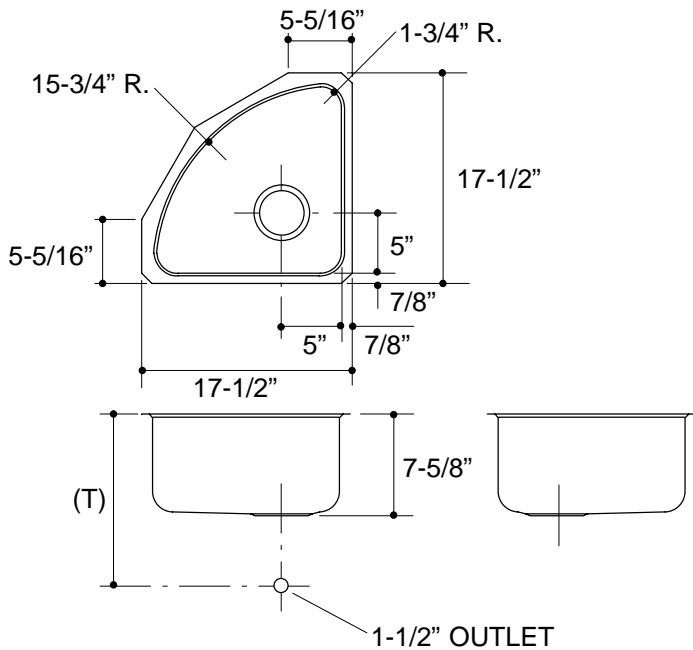
PRODUCT SPECIFICATION:

The undercounter sink shall be 15-3/4" in length, and 15-3/4" in width. Sink shall be made of 18 gauge stainless steel. Sink shall be single compartment with a quarter-round bowl. Sink shall include installation hardware. Sink shall be Kohler Model K-3343-_____.

UNDERTONE™

PRODUCT INFORMATION

Fixture*:		basin area	water depth
Sink		16" x 16"	7-7/16"
Outlet	3-5/8" D.		
* Approximate measurements for comparison only.			
Included Components:			
Hardware kit		91915	
Cutout template		113393	



Roughing-In Notes

(T) Drain typically 13".

*Allow clearance around sink rim for clip attachment.

116

PRODUCT DIAGRAM