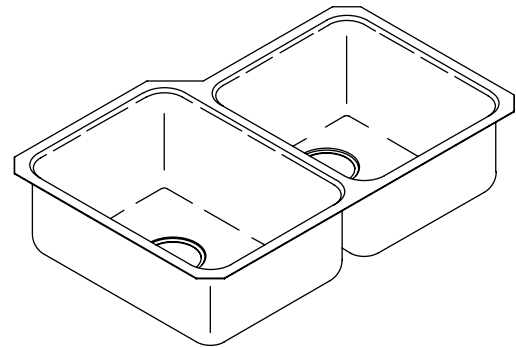


Features

- 18 gauge stainless steel
- Double (large/medium) compartment
- Undercounter
- Includes installation hardware
- Squared bowl(s)
- 29-1/4" (74.3 cm) x 18-5/8" (47.3 cm)
- 7-1/2" (19.1 cm) deep basins

UNDERCOUNTER KITCHEN SINK K-3353 ALSO K-3353-L



Codes/Standards Applicable

Specified model meets or exceeds the following:

- IAPMO/UPC
- ASME A112.19.3
- CSA B45

Colors/Finishes

- NA: None applicable

Accessories:

- CP: Polished Chrome
- 0: White
- NA: None applicable
- Other: Refer to Price Book for additional colors/finishes

Specified Model

Model	Description	Colors/Finishes
K-3353	Undercounter sink	<input type="checkbox"/> NA
K-3353-L	Undercounter sink	<input type="checkbox"/> NA

Optional Accessories			
K-3190	Bottom basin rack	<input type="checkbox"/> 0 White	<input type="checkbox"/> Other _____
K-3277	Wire basket (for either basin)	<input type="checkbox"/> 0 White	<input type="checkbox"/> Other _____
K-3294	Hardwood cutting board (for either basin)	<input type="checkbox"/> NA	
K-8801	Duostrainer® sink strainer	<input type="checkbox"/> CP	<input type="checkbox"/> Other _____

Product Specification:

The undercounter sink shall be 29-1/4" (74.3 cm) in length and 18-5/8" (47.3 cm) in width. Sink shall be made of 18 gauge stainless steel. Sink shall be double (large/medium) compartment with squared bowls. Sink shall have 7-1/2" (19.1 cm) deep basins. Sink shall include installation hardware. Sink shall be Kohler Model K-3353-_____.

UNDERTONE™

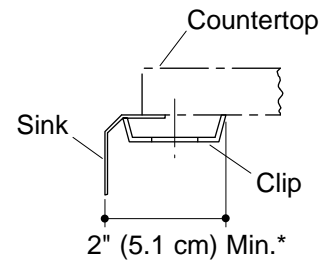
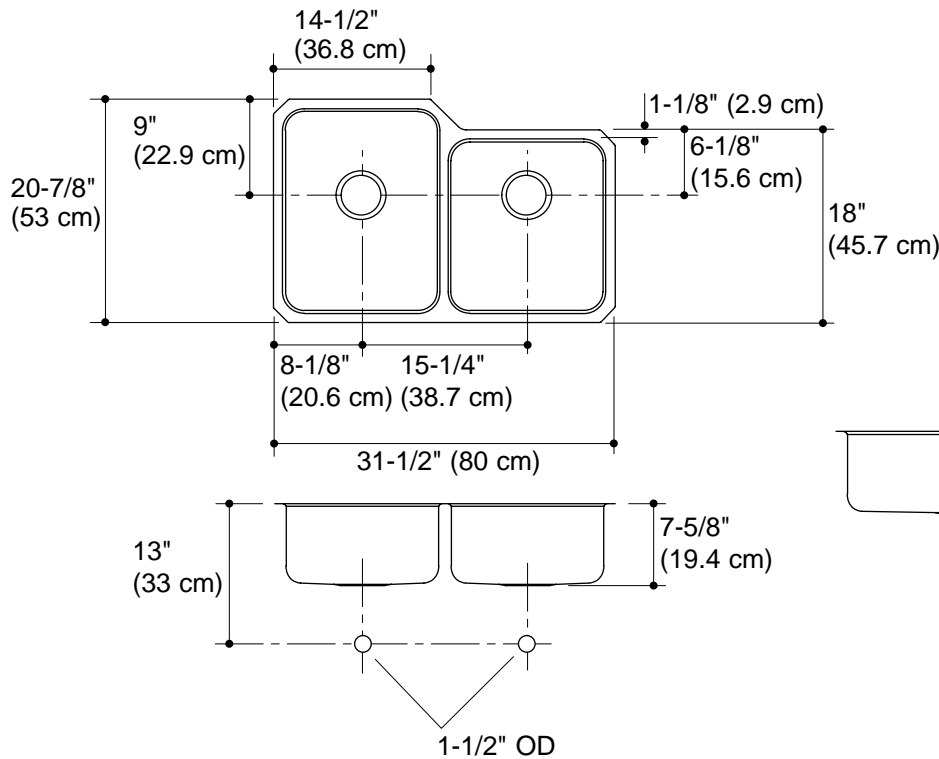
Technical Information

Dimensions shown for K-3353; sink dimensions are opposite for K-3353-L.		
Fixture:*	basin area	water depth
Sink, left	14" (35.6 cm) x 19" (48.3 cm)	7-1/2" (19.1 cm)
Sink, right	14" (35.6 cm) x 16" (40.6 cm)	7-1/2" (19.1 cm)
Drain Holes	3-5/8" (9.2 cm) D.	
* Approximate measurements for comparison only.		

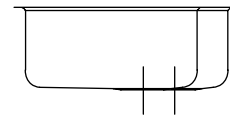
Included Components:	
Hardware kit (4 required)	91915
Cutout template (K-3353)	1040557-7
Cutout template (K-3353-L)	1023161-7

Installation Notes

Install this product according to the installation guide.



* Allow clearance around sink rim for clip attachment.



Product Diagram